

# FLAT PANEL ANTENNA FPA19-2.5V/9209

PROVISIONAL SPECIFICATION

## ELECTRICAL

FREQUENCY:	2.4 - 2.7 GHz
GAIN:	19.0 dBi Typical
POLARISATION:	Linear (Vertical)
BEAMWIDTH:	17.5° (Az) x 17.5° (El) Approx.
CROSS POLAR:	20.0 dB Typical
VSWR:	2:1 Max, 1.5:1 Typical
POWER RATING:	10 W
FRONT TO BACK:	30 dB

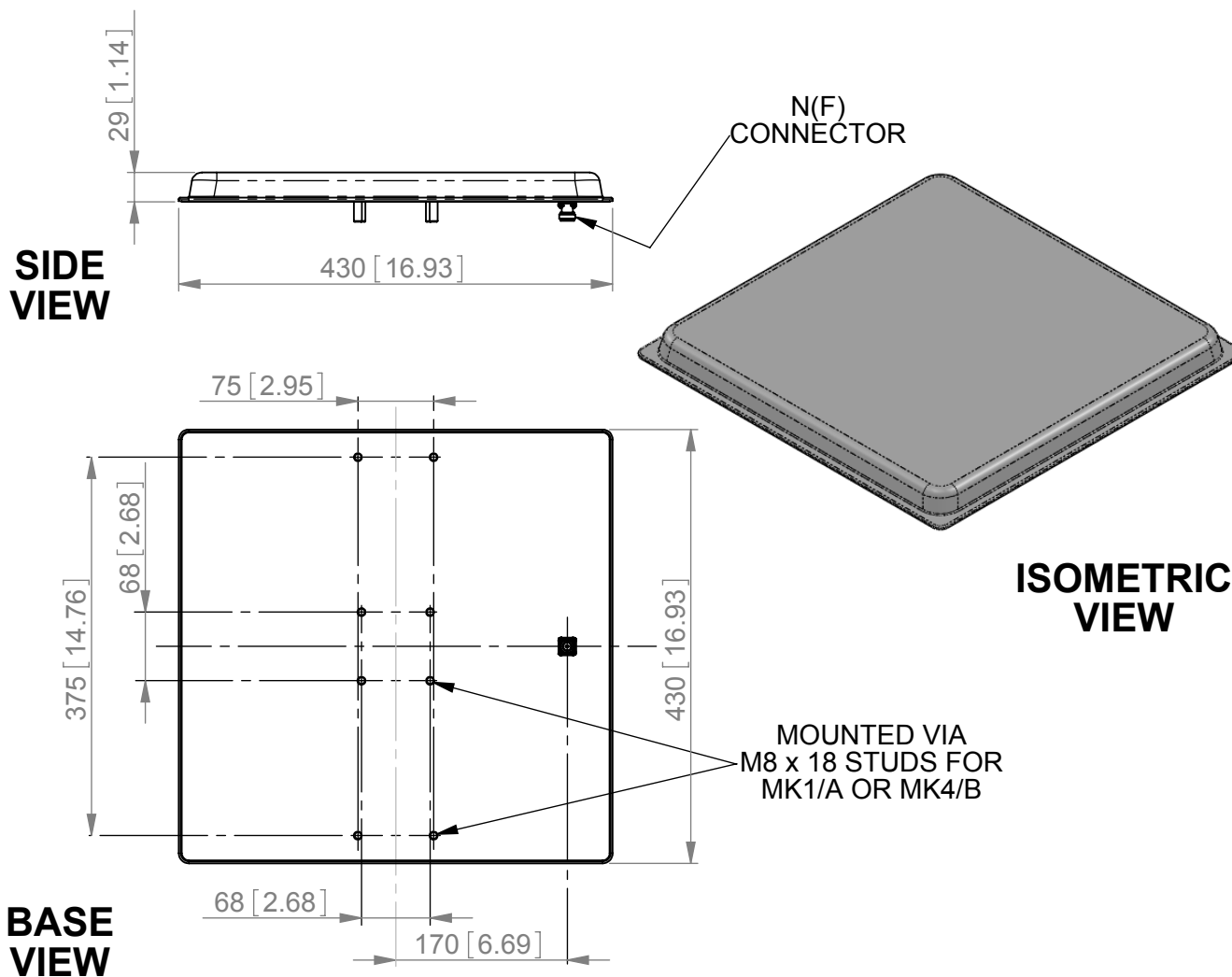
## MECHANICAL

STANDARD FINISH:	Grey Radome
MASS:	<1.5 Kg / 3.3 lbs
TEMPERATURE:	-20° to +50°C
WIND LOADING:	30 Kg / 66 lbs @ 100 mph

## MOUNTING OPTIONS

KITS AVAILABLE: MK1/A or MK4/B

See Separate Data Sheets



GA: 9209-A Issued: 160908  
DIMENSIONS: mm [inches] H

FPA19-2.5V/9209

European Antennas Ltd. has a policy of continuous development and therefore stress that the data contained on this sheet should be used for guidance only.

European Antennas Ltd is part of Cobham Defence Electronic Systems



Certificate No 9268

European Antennas Ltd  
Lambda House, Cheveley  
Newmarket, Suffolk, CB8 9RG, UK  
Tel: +44 (0)1638 731888  
sales@european-antennas.co.uk  
[www.european-antennas.co.uk](http://www.european-antennas.co.uk)