

# SA15-90-2.5VH/9224

## Dual-Polar Sector Antenna

### Provisional Specification



The most important thing we build is trust

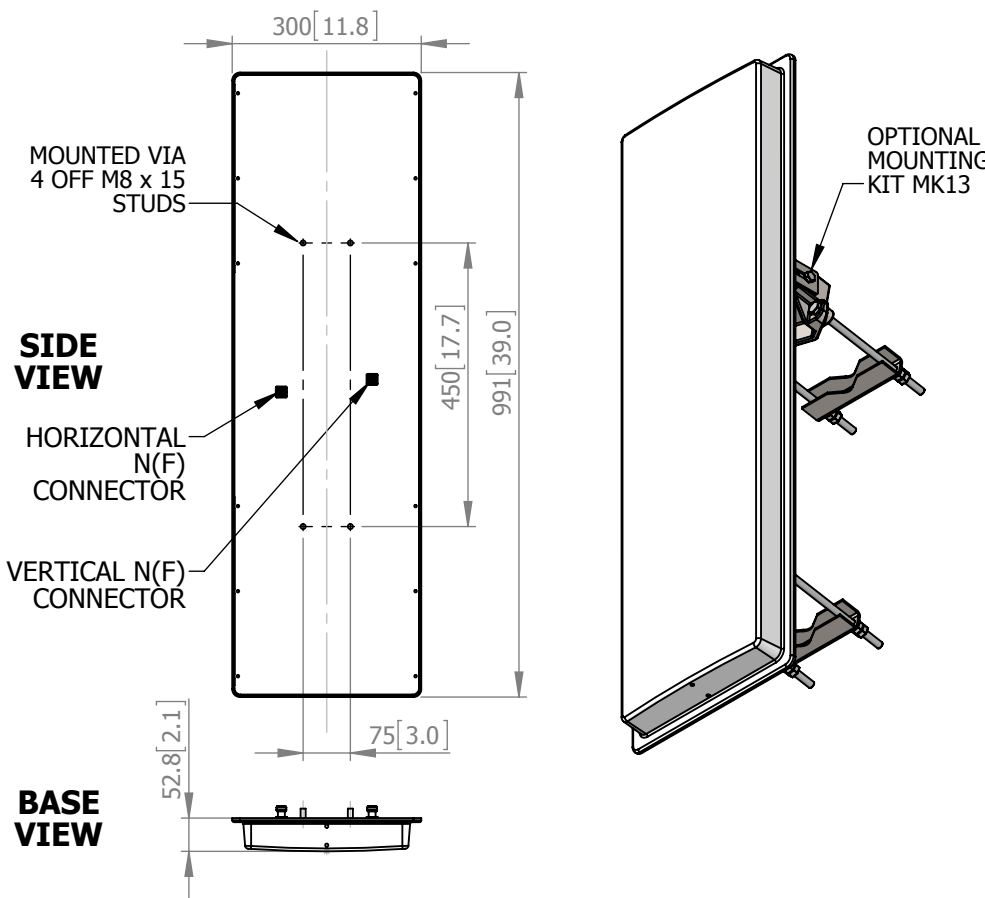
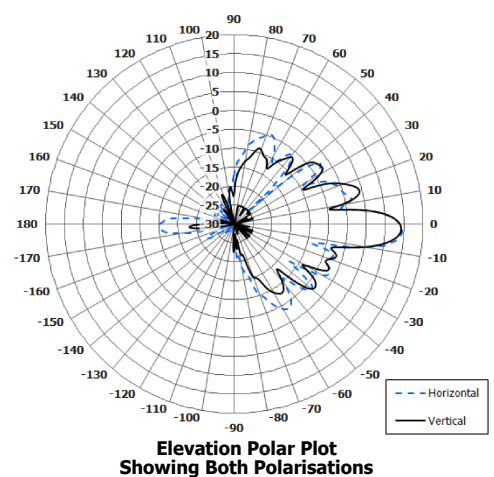
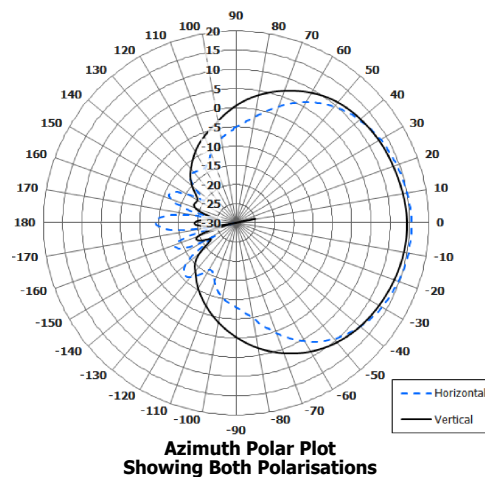
### Key Features

90° Coverage

Vertical & Horizontal Polarisation

Rugged UV Stable

Low Wind Loading



### ELECTRICAL

Frequency:	2.3 - 2.7 GHz
Gain:	15 dBi Typ.
Polarisation:	Dual Linear (Vertical & Horizontal)
Beamwidth:	90° (Az) x 9° (El) Approx.
Cross Polar:	20 dB
VSWR:	2:1 Max.
Power Rating:	50 W
Front to Back:	20 dB Min.
Electrical Tilt:	2° Typ. Down.
Isolation:	30dB Min

### MECHANICAL

Standard Finish:	White, UV Stable Radome
Mass:	4.8Kg (10.6lbs)
Temperature:	-40° to +60°C
Wind Loading:	48.2 Kg (106lbs) @ 100mph

### MOUNTING OPTIONS

Kits Available:	MK13
See Separate Data Sheets	

GA: 9224rA Issued: 27.05.14  
Dimensions: mm [inches] M

European Antennas Limited trading as Cobham Antenna Systems, Microwave Antennas

European Antennas Limited has a policy of continuous development and stress that the information provided is a guide only and does not constitute an offer or contract or part thereof. Whilst every effort is made to ensure the accuracy of the information contained in this Data Sheet, no responsibility can be accepted for any errors or omissions.

The copyright of antenna designs and images is copyright protected and owned by European Antennas Limited.  
©European Antennas Limited.

For further information please contact:

Cobham Antenna Systems, Microwave Antennas, Lambda House, Cheveley, Newmarket, Suffolk, CB8 9RG, UK

T: +44 (0) 1638 732177  
E: [newmarket.sales@cobham.com](mailto:newmarket.sales@cobham.com)  
W: [www.cobham.com/antennasystems/microwaveantennas](http://www.cobham.com/antennasystems/microwaveantennas)