

SA16-90-5.4VH/9521

Dual-Polar Sector Antenna

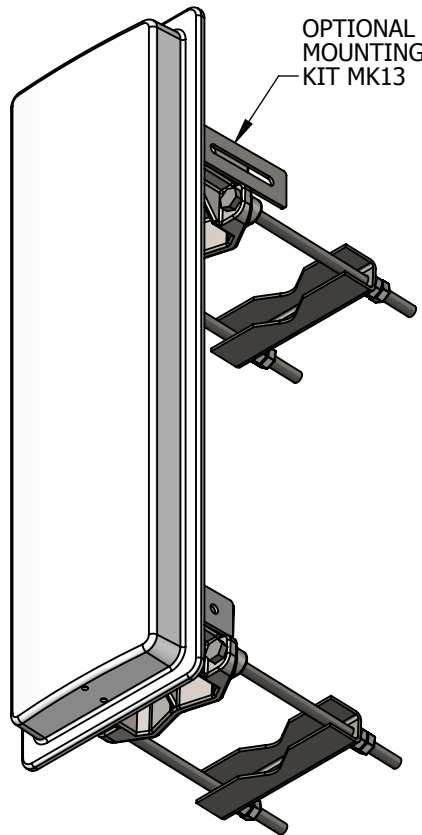
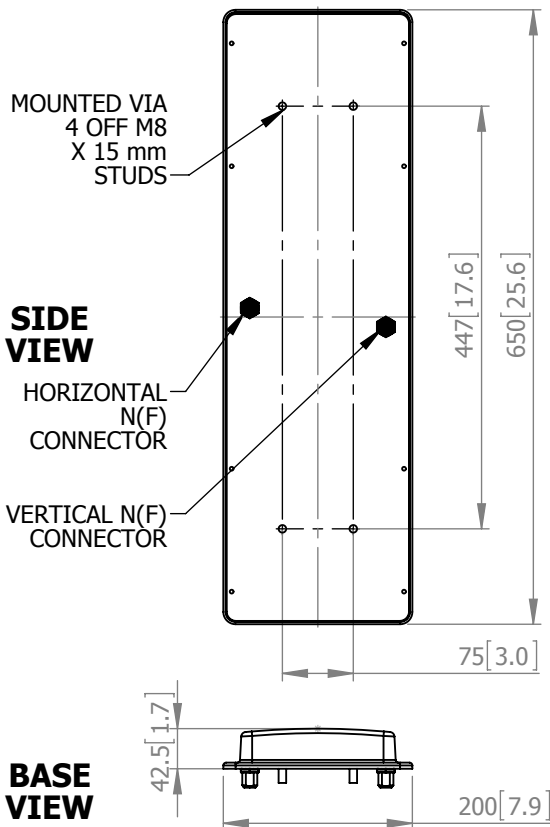
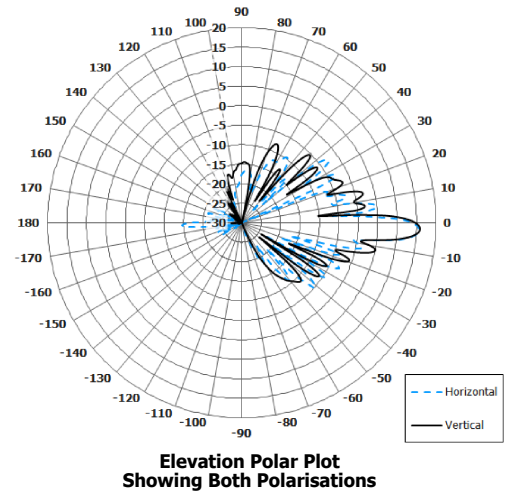
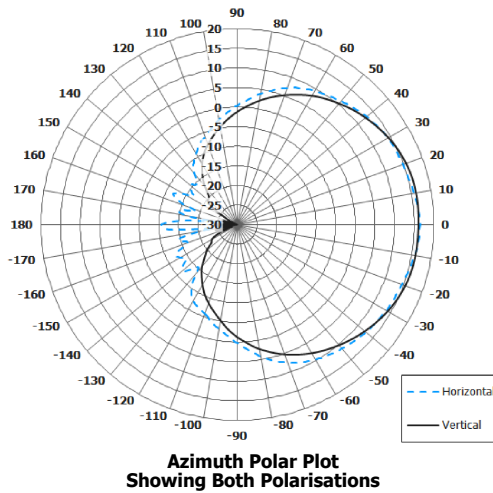
Provisional Specification

COBHAM

The most important thing we build is trust

Key Features

- 90° Coverage
- Vertical & Horizontal Polarisation
- Rugged UV Stable
- Low Wind Loading



ELECTRICAL

Frequency:	4.9 - 5.85 GHz
Gain:	16 dBi Typ
Polarisation:	Dual Linear (Vertical & Horizontal)
Beamwidth:	90° (Az) x 6° (El) Approx.
Cross Polar:	20 dB Min
VSWR:	2:1 Max
Power Rating:	50 W
Front to Back:	25 dB Min.
Electrical Tilt:	2° Typ. Down.
Isolation:	30 dB Min.

MECHANICAL

Standard Finish:	White, UV Stable Radome
Mass:	1.5 kg (3.3 lbs)
Temperature:	-40° to +60°C
Wind Loading:	21Kg (46lbs) @ 100 mph

MOUNTING OPTIONS

Kits Available:	MK13
See Separate Data Sheets	

GA: 9521-A Issued: 09.05.14
 Dimensions: mm [inches] M

European Antennas Limited trading as Cobham Antenna Systems, Microwave Antennas

European Antennas Limited has a policy of continuous development and stress that the information provided is a guide only and does not constitute an offer or contract or part thereof. Whilst every effort is made to ensure the accuracy of the information contained in this Data Sheet, no responsibility can be accepted for any errors or omissions.

The copyright of antenna designs and images is copyright protected and owned by European Antennas Limited.
 ©European Antennas Limited.

For further information please contact:

Cobham Antenna Systems, Microwave Antennas, Lambda House, Cheveley, Newmarket, Suffolk, CB8 9RG, UK

T: +44 (0) 1638 732177
 E: newmarket.sales@cobham.com
 W: www.cobham.com/antennasystems/microwaveantennas