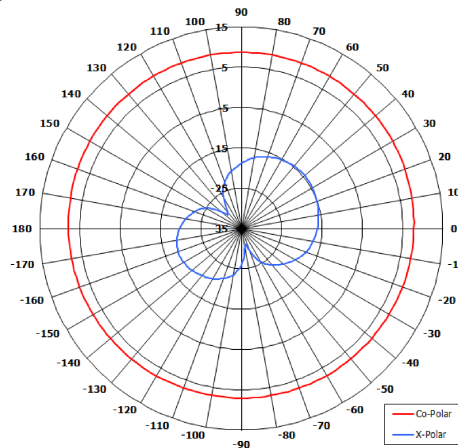


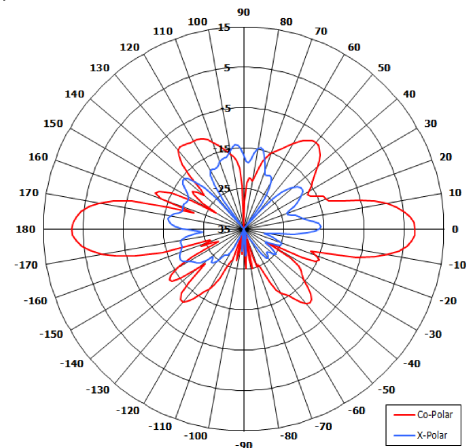
The most important thing we build is trust

### Key Features

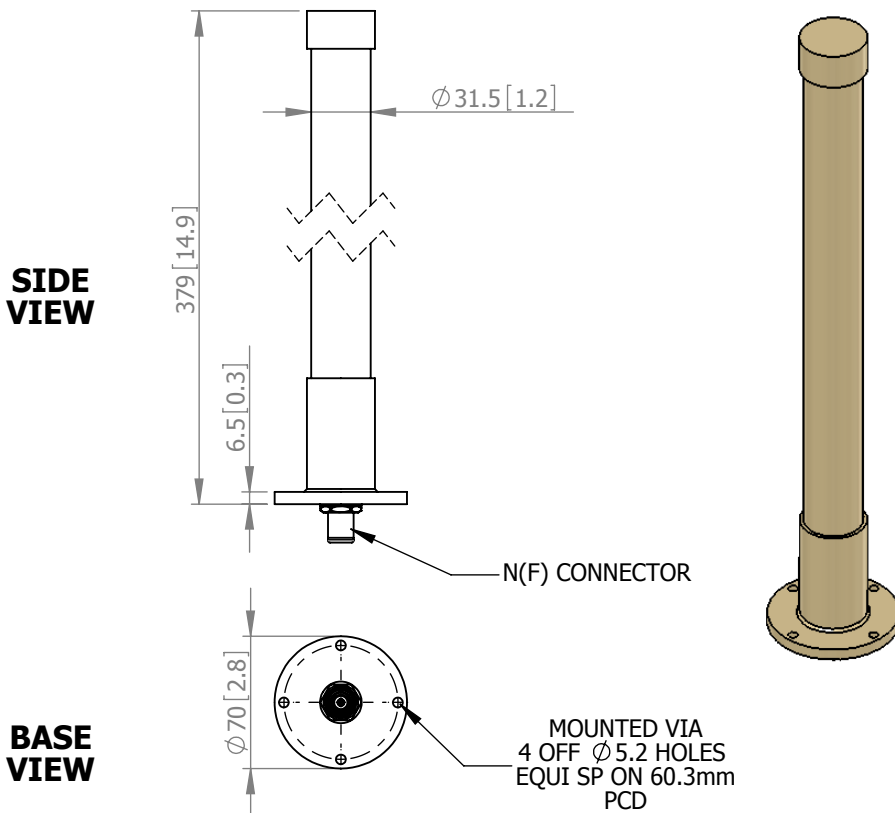
- Designed for Ground Based Applications
- Suitable for Outdoor Applications
- Pattern - Onmi Directional
- High Gain
- Rugged



Azimuth Polar Plot



Elevation Polar Plot



### ELECTRICAL

Frequency:	4.40 - 5.00 GHz
Gain:	7.5 dBi Nom.
Polarisation:	Linear (Vertical)
Beamwidth:	360° (Az) x 17° (El) Approx
Cross Polar:	>20 dB Typ.
VSWR:	2:1 Max, 1.5 Typ.
Power Rating:	50 W
Front to Back:	N/A
Electrical Tilt:	N/A

### MECHANICAL

Standard Finish:	Desert Tan
Mass:	274 g (0.6 lbs)
Temperature:	-40° to +60° C
Wind Loading:	2.0 Kg (4.4 lbs) @ 100 mph

### MOUNTING OPTIONS

Kits Available:	N/A
See Separate Data Sheets	

GA: 2009-1 Issued: 150115  
 Dimensions: mm [inches] M,

European Antennas Limited trading as Cobham Antenna Systems, Microwave Antennas

European Antennas Limited has a policy of continuous development and stress that the information provided is a guide only and does not constitute an offer or contract or part thereof. Whilst every effort is made to ensure the accuracy of the information contained in this Data Sheet, no responsibility can be accepted for any errors or omissions.

The copyright of antenna designs and images is copyright protected and owned by European Antennas Limited.  
 ©European Antennas Limited.

For further information please contact:

Cobham Antenna Systems, Microwave Antennas, Lambda House, Cheveley, Newmarket, Suffolk, CB8 9RG, UK

T: +44 (0) 1638 732177  
 E: [newmarket.sales@cobham.com](mailto:newmarket.sales@cobham.com)  
 W: [www.cobham.com/antennasystems/microwaveantennas](http://www.cobham.com/antennasystems/microwaveantennas)