

MK13

Sector Antenna Mounting Kit

COBHAM

The most important thing we build is trust

Key Features

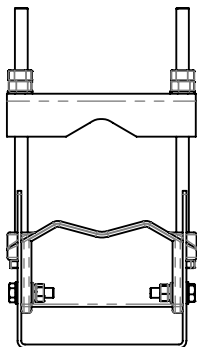
Mounts to 40-120mm poles

Elevation adjustment 0 to 10 degrees

Can be used with most Cobham Antenna Sectors

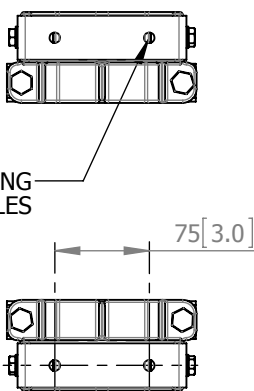


TOP VIEW

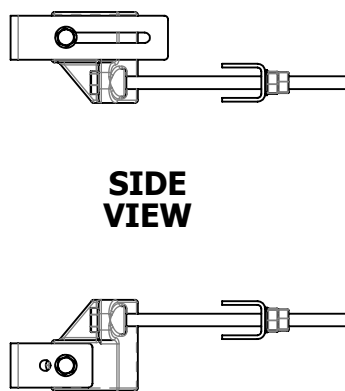


ANTENNA FIXING
VIA $\varnothing 8.5$ HOLES

FRONT VIEW

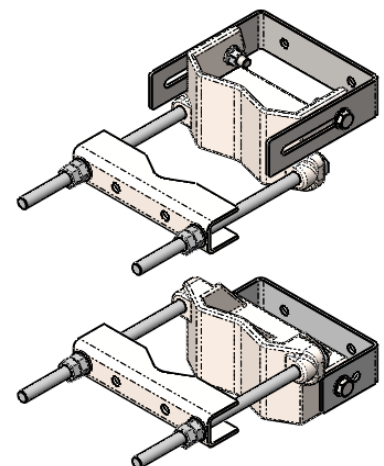


SIDE VIEW



MECHANICAL

Mounting:	Fits 40mm to 120mm poles
El. Adjustment:	0° to 10° when fixed 447mm apart.
Az. Adjustment:	Via rotation on pole
Material:	St. Steel/Aluminium
Finish:	Natural
Mass:	2.5 Kg / 5.5 lbs



Chelton Limited trading as Cobham Antenna Systems

Chelton Limited has a policy of continuous development and stress that the information provided is a guide only and does not constitute an offer or contract or part thereof. Whilst every effort is made to ensure the accuracy of the information contained in this Data Sheet, no responsibility can be accepted for any errors or omissions.

The copyright of antenna designs and images is copyright protected and owned by Chelton Limited.
©Chelton Limited.

For further information please contact:

Cobham Antenna Systems, Lambda House, Cheveley, Newmarket, Suffolk, CB8 9RG, UK

T: +44 (0) 1638 732177

E: newmarket.sales@cobham.com

W: www.cobham.com/microwave-antennas