

HDA-1.5V/2269

Body Worn Antenna

Provisional Specification

The most important thing we build is trust

COBHAM

Key Features

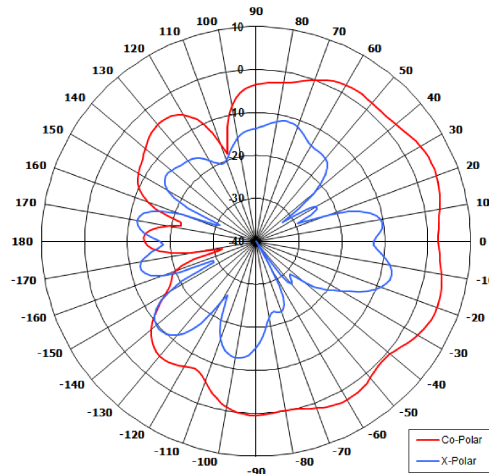
Designed for Security Applications

Suitable for Man-Pack Applications

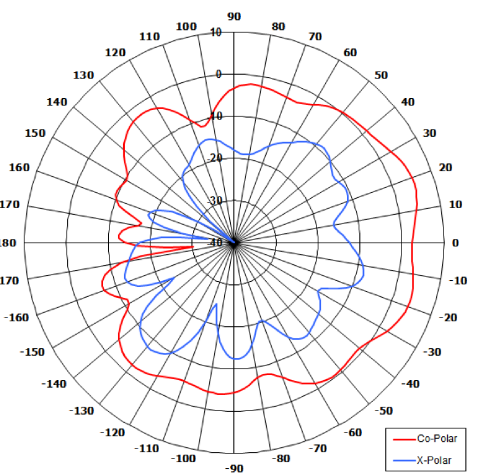
Pattern - Sectorial

High Gain

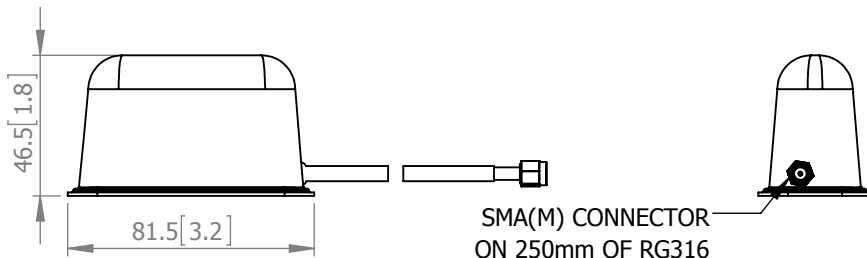
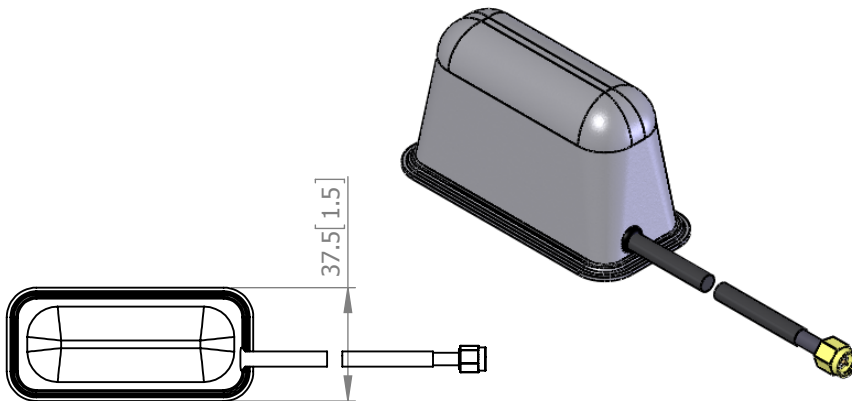
Lightweight



Azimuth Polar Plot (similar product)



Elevation Polar Plot (similar product)



SIDE VIEW

END VIEW

ELECTRICAL

Frequency: 1.4 - 1.5 GHz

Gain: 5 dBi Nom.

Polarisation: Linear (Vertical)

Beamwidth: 120° (Az) x 70° (El)

Cross Polar: >15 dB Typ.

VSWR: 2:1 Typ, 2.6:1 Max

Power Rating: 10 W

Front to Back: 15 dB Typ

MECHANICAL

Standard Finish: Grey ABS

Mass: 30g / 1.06 oz

Temperature: -20° to +50°C

MOUNTING OPTIONS

Kits Available: N/A

See Separate Data Sheets

GA: 2269-A Issued: 230315

Dimensions: mm [Inches] M

For further information please contact:

Chelton Limited trading as Cobham Antenna Systems, Microwave Antennas

Chelton Limited has a policy of continuous development and stress that the information provided is a guide only and does not constitute an offer or contract or part thereof. Whilst every effort is made to ensure the accuracy of the information contained in this Data Sheet, no responsibility can be accepted for any errors or omissions.

The copyright of antenna designs and images is copyright protected and owned by Chelton Limited.
©Chelton Limited.

For further information please contact:

Cobham Antenna Systems, Microwave Antennas, Lambda House, Cheveley, Newmarket, Suffolk, CB8 9RG, UK

T: +44 (0) 1638 732177

E: newmarket.sales@cobham.com

W: www.cobham.com/antennasystems/microwaveantennas