

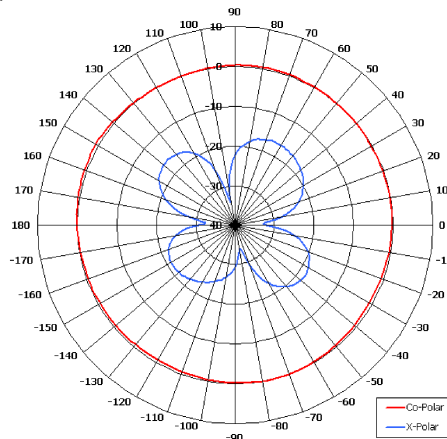
OA2-1.8V-2.3V-4.7V/2267

Omni Antenna

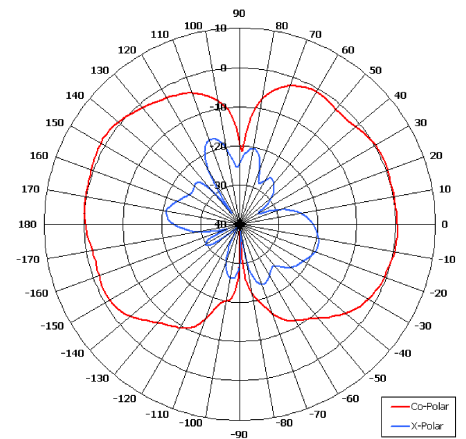
Provisional Specification

The most important thing we build is trust

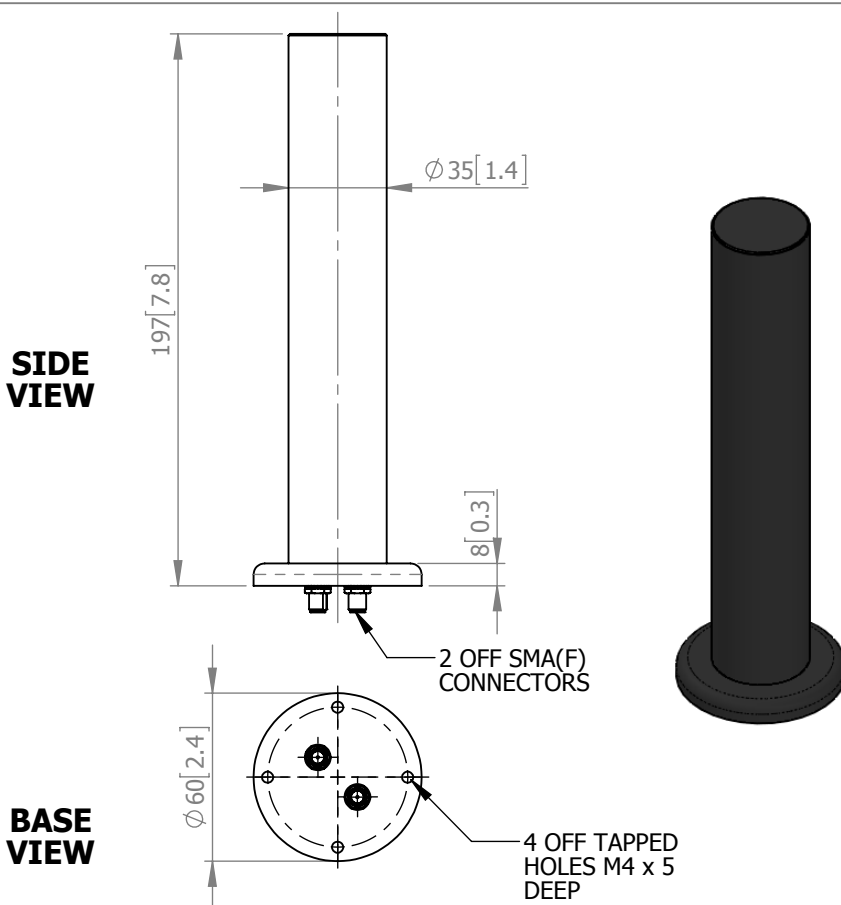
COBHAM



Azimuth Polar Plot (similar product)



Elevation Polar Plot (similar product)



ELECTRICAL

Frequency:	1.75 - 1.85 GHz Port 1 2.2 - 2.3 & 4.4 - 5.0 GHz Port 2
Gain:	2 dBiC Nom. (Each Band)
Polarisation:	Linear (Vertical)
Beamwidth:	360° (Az) x 70° (El) Approx.
Cross Polar:	15 dB Typ.
VSWR:	2:1
Power Rating:	10 W
Front to Back:	N/A

MECHANICAL

Standard Finish:	Black
Mass:	150 g / 0.33 lbs Approx
Temperature:	-20° to +50°C
Wind Loading:	1.1 Kg / 2.42 lbs @ 100 mph

MOUNTING OPTIONS

Kits Available: N/A
See Separate Data Sheets

GA: 2267-A Issued: 11.04.14
Dimensions: mm [inches] M

European Antennas Limited trading as Cobham Antenna Systems, Microwave Antennas

European Antennas Limited has a policy of continuous development and stress that the information provided is a guide only and does not constitute an offer or contract or part thereof. Whilst every effort is made to ensure the accuracy of the information contained in this Data Sheet, no responsibility can be accepted for any errors or omissions.

The copyright of antenna designs and images is copyright protected and owned by European Antennas Limited.
©European Antennas Limited.

For further information please contact:

Cobham Antenna Systems, Microwave Antennas, Lambda House, Cheveley, Newmarket, Suffolk, CB8 9RG, UK

T: +44 (0) 1638 732177
E: newmarket.sales@cobham.com
W: www.cobham.com/antennasystems/microwaveantennas