

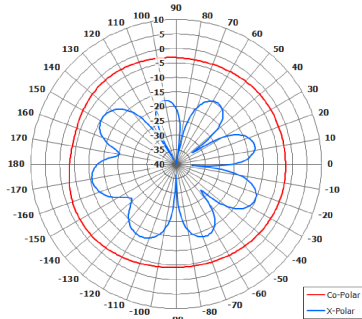
OA2-700-2700V/2328

Broadband omni-directional blade antenna

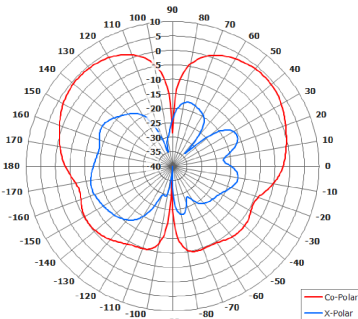
Provisional Specification

The most important thing we build is trust

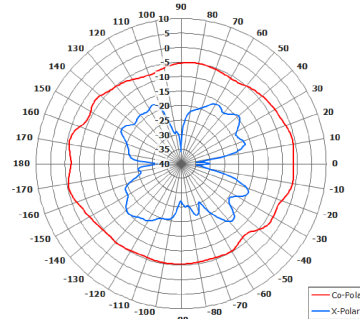
COBHAM



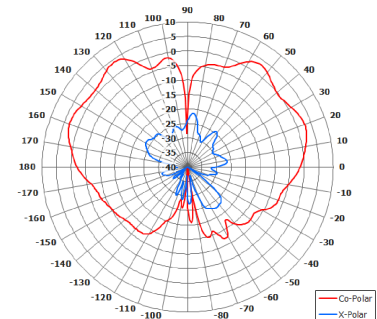
700MHz Azimuth Polar Plot



700MHz Elevation Polar Plot

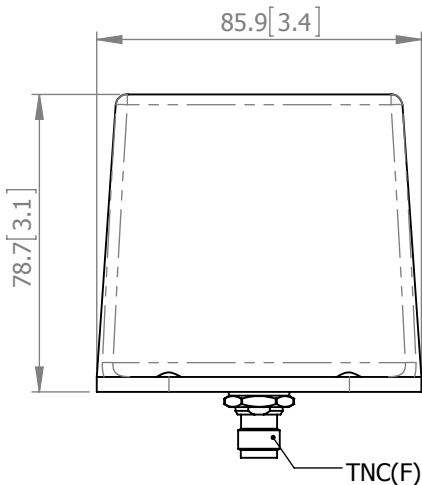


2700MHz Azimuth Polar Plot

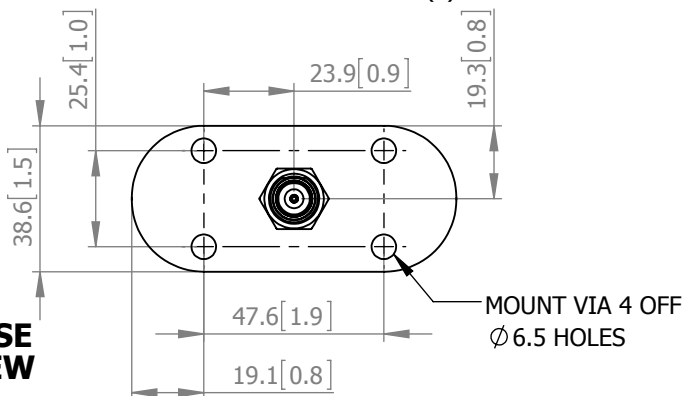


2700MHz Elevation Polar Plot

SIDE VIEW



BASE VIEW



ELECTRICAL

Frequency:	700-2700 MHz
Gain:	2-6 dBi when mounted on GP*
Polarisation:	Linear (Vertical)
Beamwidth:	360° (Az) x 40° (El) Typ.
VSWR:	2.5:1
Power Rating:	50 W
Front to Back:	N/A
Electrical Tilt:	30° Typ. when mounted on GP*

MECHANICAL

Standard Finish	Black
Mass:	<100g / <3.5 ozs
Temperature:	-55° to +70°C

MOUNTING OPTIONS

Kits Available: XXX
See Separate Data Sheets

* Measured on $\varnothing 550$ [21.7] ground plane.

DS: 2328-B Issued: 100216
Dimensions: mm [inches] X (H,M,L)

Chelton Limited trading as Cobham Antenna Systems, Microwave Antennas

Chelton Limited has a policy of continuous development and stress that the information provided is a guide only and does not constitute an offer or contract or part thereof. Whilst every effort is made to ensure the accuracy of the information contained in this Data Sheet, no responsibility can be accepted for any errors or omissions.

The copyright of antenna designs and images is copyright protected and owned by Chelton Limited.
©Chelton Limited.

For further information please contact:

Cobham Antenna Systems, Microwave Antennas, Lambda House, Cheveley, Newmarket, Suffolk, CB8 9RG, UK

T: +44 (0) 1638 732177
E: newmarket.sales@cobham.com
W: www.cobham.com/antennasystems/microwaveantennas