

SVD2-2.3V/1714

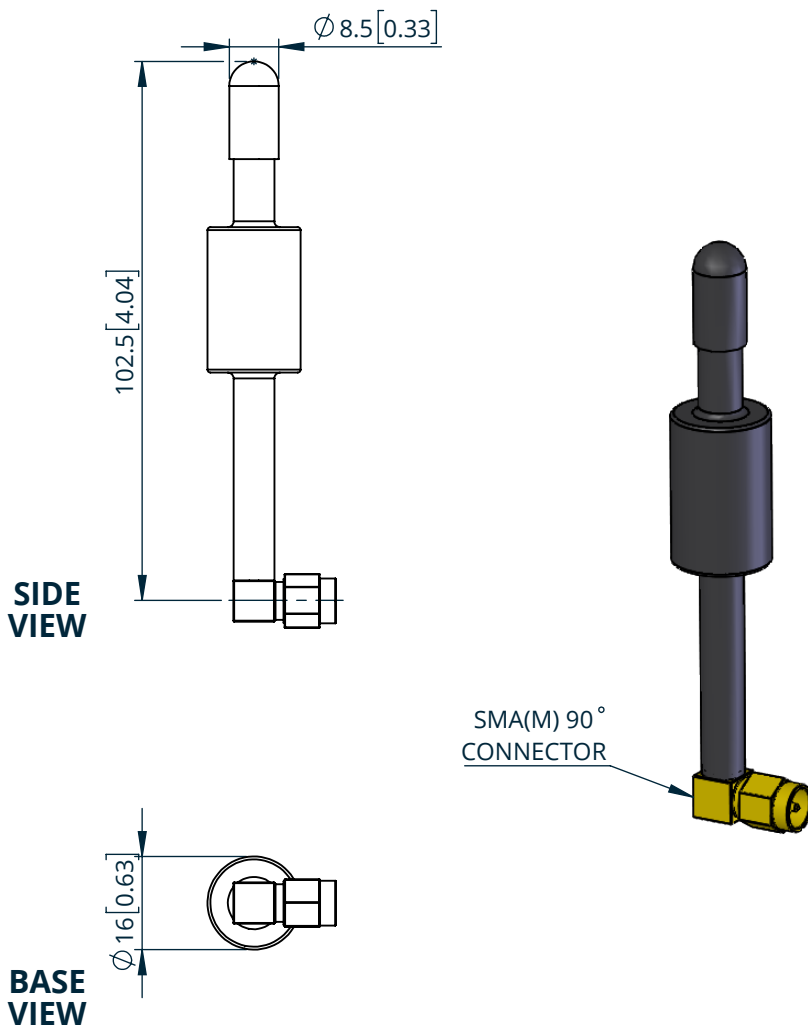
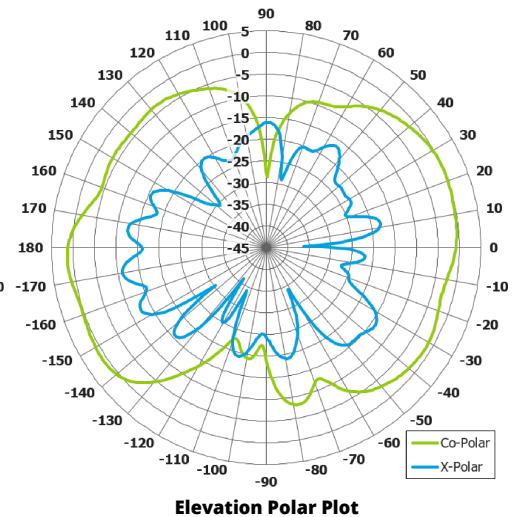
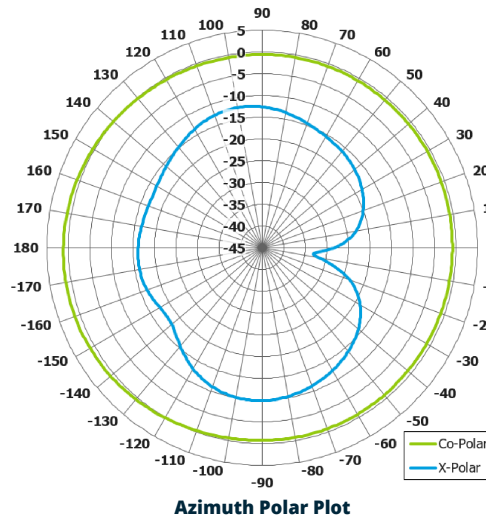
Omni Antenna

Key Features:

Suitable for multiple applications

Wideband performance

Flexible low profile design



ELECTRICAL

| | |
|----------------------|---------------------|
| Frequency: | 2.0 to 2.5 GHz |
| Gain: | 2 dBi Typ. |
| Polarisation: | Vertical |
| Beamwidth: | 360° x 80° Typ. |
| Cross Polar: | >10 dB Typ. |
| VSWR: | 2.5:1 Typ, 2:1 Max. |
| Power Rating: | 10 W |

MECHANICAL

| | |
|-------------------------|---------------|
| Standard Finish: | Black |
| Mass: | 21 g / 0.7 oz |
| Temperature: | -20 to +50°C |

Full radiation patterns and CAD available on request

DS: 1714-2

Issued: 090621

Dimensions: mm [inches]