

SVD2-0.4V/1700

Omni Antenna



Key Features

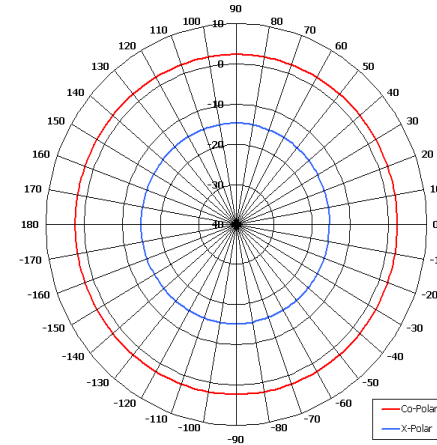
Suitable for Multiple Applications

Low Profile Design

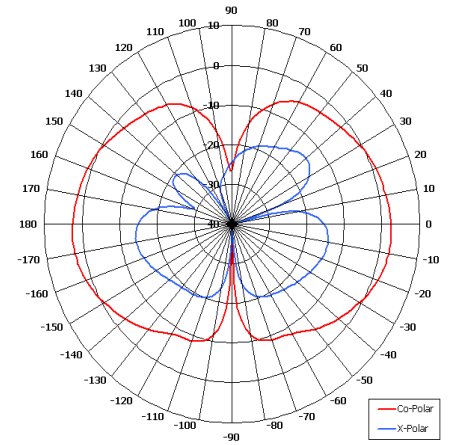
Pattern - Omni Directional

Lightweight

Suitable for Mobile Applications

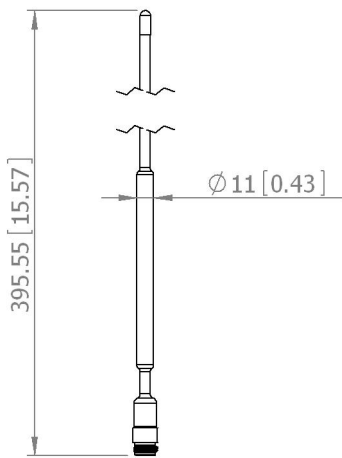


Azimuth Pattern

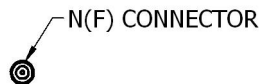


Elevation Pattern

SIDE VIEW



BASE VIEW



GA: 1700

ELECTRICAL

Frequency	402 - 418 MHz
Gain	2 dBi Nom
Polarisation	Linear (Vertical)
Beamwidth	360° (Az) x c80° (El) Approx
Cross Polar	20 dB Nom
VSWR	2:1
Power Rating	10 W
Front to Back	N/A

MECHANICAL

Standard Finish	Matt Black
Mass	78 g (2.75 oz)
Temperature	-20° to +50°C
Wind Loading	0.51 Kg (1.12lbs) @ 100mph

MOUNTING OPTIONS

Kits Available	N/A
----------------	-----

See separate data sheets

ADDITIONAL NOTES

Issued 220710

Chelton Limited has a policy of continuous development and stress that the information provided is a guide only and does not constitute an offer or contract or part thereof. Whilst every effort is made to ensure the accuracy of the information contained in this brochure, no responsibility can be accepted for any errors or omissions.

The copyright of antenna designs and images is copyright protected and owned by Chelton Limited.
©Chelton Limited

For further information please contact: Chelton Limited, Lambda House, Cheveley, Newmarket, Suffolk CB8 9RG, UK.
T: +44 (0)1638 732 177
E: newmarket.sales@chelton.com
W: www.chelton.com/microwave