

# EVD2-2.3V/1706

Omni Antenna



## Key Features

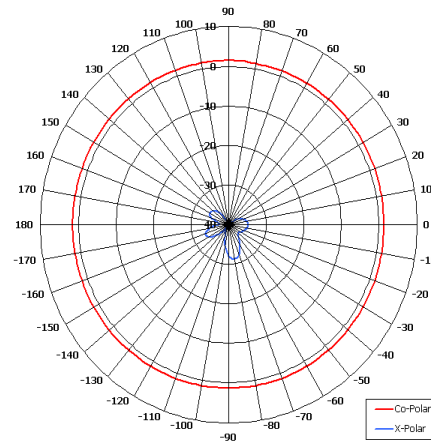
Designed for Security Applications

Suitable for Mobile Applications

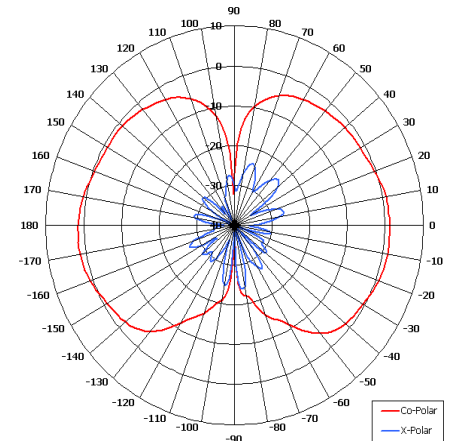
Compact

Connector Options

Ground Plane Independent

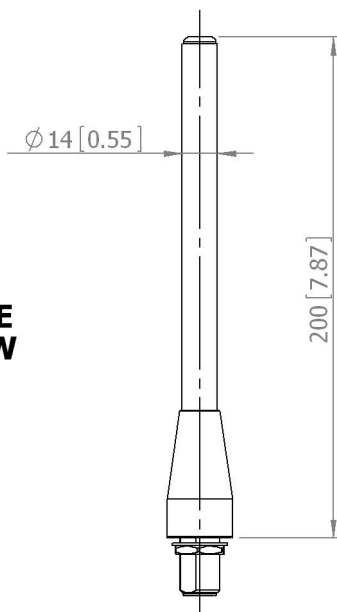


Azimuth Pattern

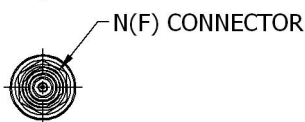


Elevation Pattern

**SIDE VIEW**



**BASE VIEW**



**GA: 1706**



## ELECTRICAL

Frequency	2.30 - 2.40 GHz
Gain	2 dBi Nom
Polarisation	Linear (Vertical)
Beamwidth	360° (Az) x 80° (El) Approx
Cross Polar	15 dB Typ
VSWR	1.67:1 Max
Power Rating	25 W
Front to Back	N/A

## MECHANICAL

Standard Finish	Matt Black
Mass	90g (3 oz)
Temperature	-20° to +50°C
Wind Loading	0.46 Kg (1.0 lbs) @ 100mph

## MOUNTING OPTIONS

Kits Available	N/A
----------------	-----

See separate data sheets

## ADDITIONAL NOTES

Issued 050310

Chelton Limited has a policy of continuous development and stress that the information provided is a guide only and does not constitute an offer or contract or part thereof. Whilst every effort is made to ensure the accuracy of the information contained in this brochure, no responsibility can be accepted for any errors or omissions.

The copyright of antenna designs and images is copyright protected and owned by Chelton Limited.  
©Chelton Limited

For further information please contact: Chelton Limited, Lambda House, Cheveley, Newmarket, Suffolk CB8 9RG, UK.  
T: +44 (0)1638 732 177  
E: [newmarket.sales@chelton.com](mailto:newmarket.sales@chelton.com)  
W: [www.chelton.com/microwave](http://www.chelton.com/microwave)