

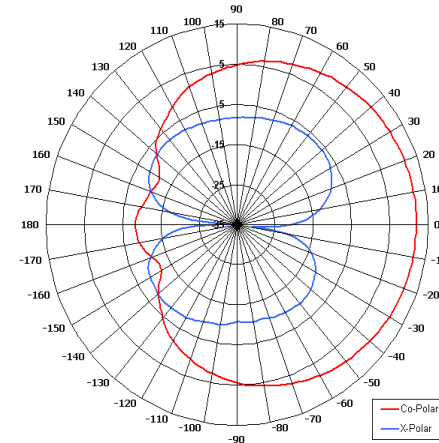
SA12-110-2.4V/1734

Sector Antenna

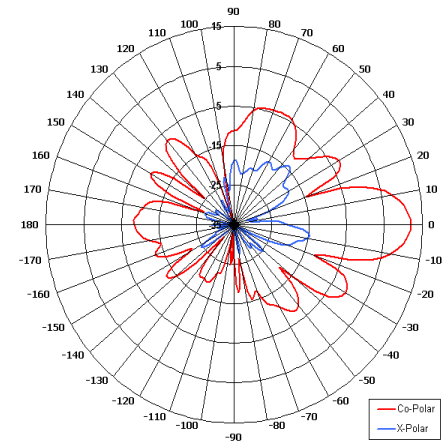


Key Features

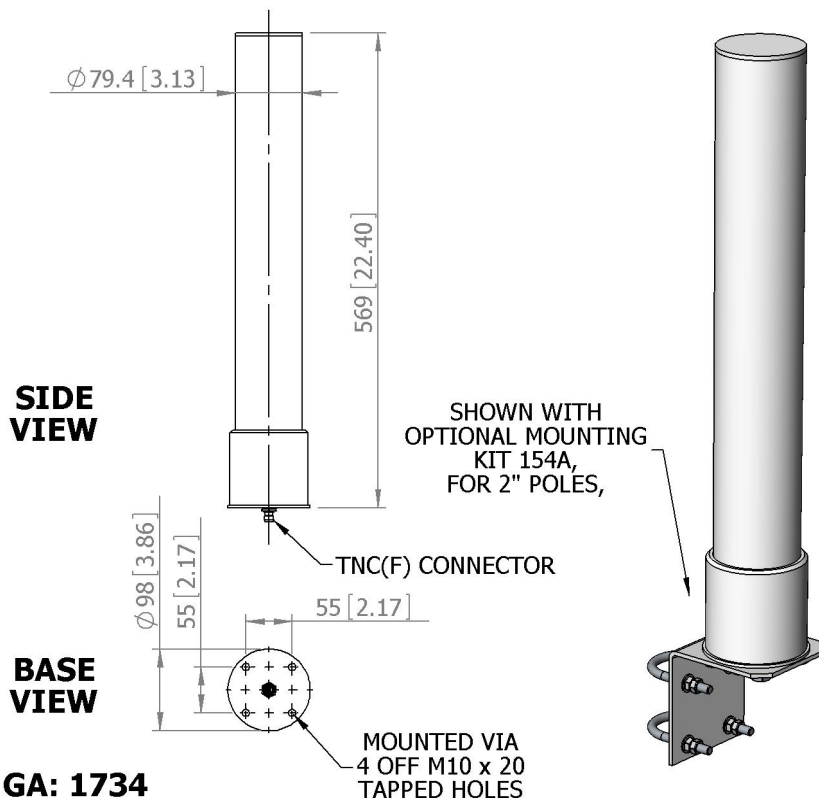
- Designed for COFDM Applications
- Suitable for Ground Based Applications Suitable for UGV Data Link Applications
- Wide Band
- Low Profile



Azimuth Pattern



Elevation Pattern



SIDE VIEW

BASE VIEW

GA: 1734

ELECTRICAL

Frequency	2.00 - 2.70 GHz
Gain	12 dBi Nom
Polarisation	Linear (Vertical)
Beamwidth	112° (Az) x 17° (El) Approx
Cross Polar	>20 dB Typ
VSWR	2:1 Max, <1.5:1 Typ
Power Rating	50 W
Front to Back	>20 dB Typ

MECHANICAL

Standard Finish	White
Mass	1.3 Kg (2.86 lbs)
Temperature	-40° to +60°C
Wind Loading	8.5 Kg (18.8 lbs) @ 100mph

MOUNTING OPTIONS

Kits Available	154A
See separate data sheets	

ADDITIONAL NOTES

Issued 030910

Chelton Limited has a policy of continuous development and stress that the information provided is a guide only and does not constitute an offer or contract or part thereof. Whilst every effort is made to ensure the accuracy of the information contained in this brochure, no responsibility can be accepted for any errors or omissions.

The copyright of antenna designs and images is copyright protected and owned by Chelton Limited.
©Chelton Limited

For further information please contact: Chelton Limited, Lambda House, Cheveley, Newmarket, Suffolk CB8 9RG, UK.
T: +44 (0)1638 732 177
E: newmarket.sales@chelton.com
W: www.chelton.com/microwave