

# FPA-0.4-2.7R/2131

Directional Antenna



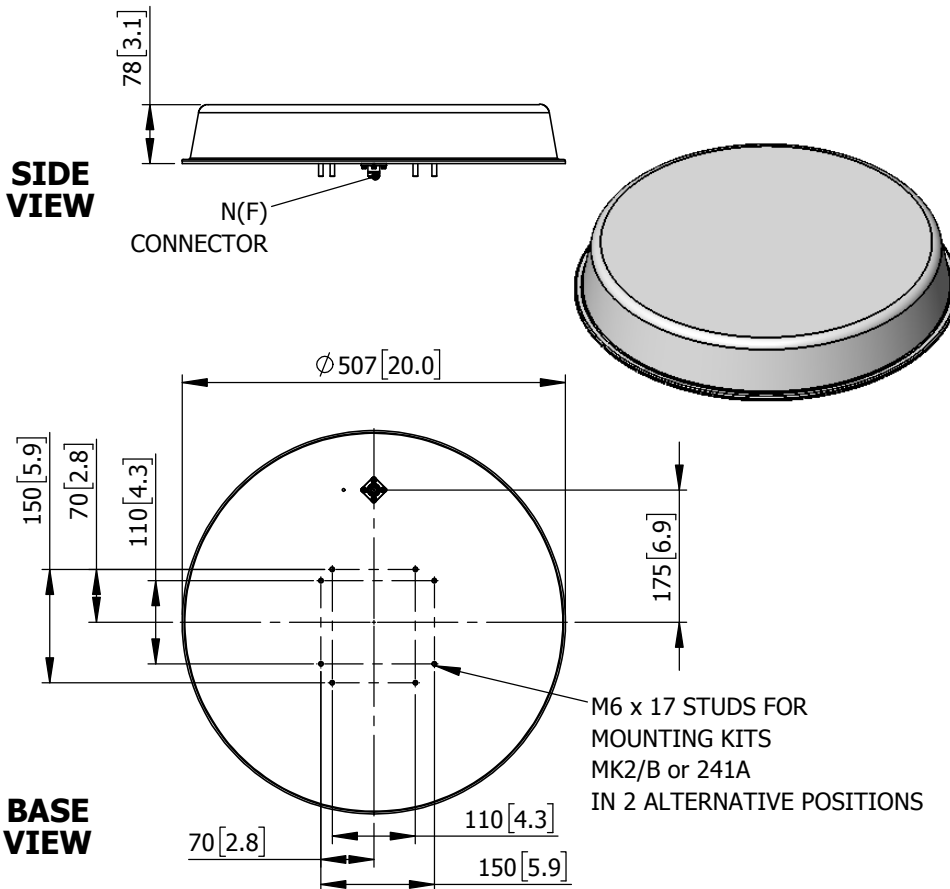
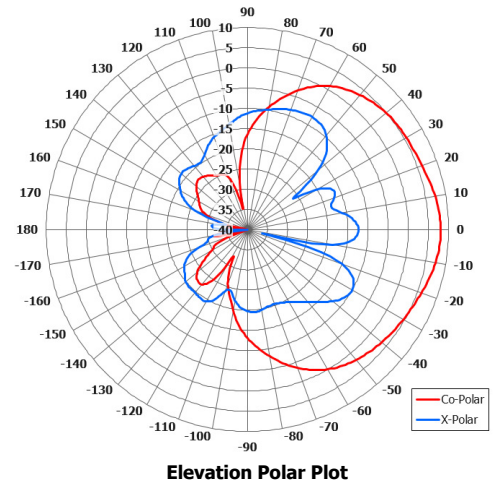
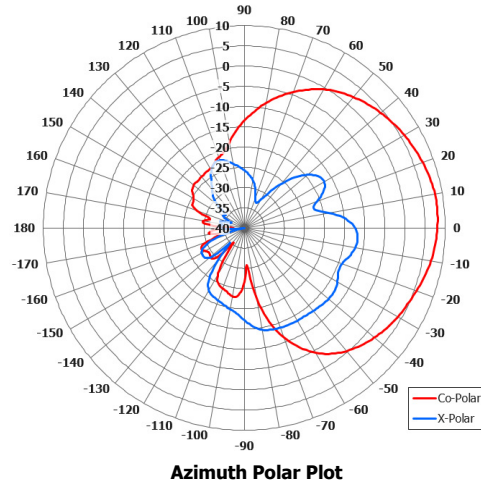
## Key Features

Suitable for Multi Band Communications

Ultra Wideband

Circular Polarisation

Rugged



## ELECTRICAL

Frequency:	0.40 - 2.70 GHz
Gain:	0 - 8 dBiC.
Polarisation:	Right Hand Circular
Beamwidth:	75° (Az) x 75° (El) Nom
Axial Ratio:	<2 dB Typ.
VSWR:	1.5:1 Typ, 2:1 Max
Power Rating:	50 W
Front to Back:	>17 dB Typ

## MECHANICAL

Standard Finish:	White
Mass:	3.0 Kg / 6.6 lbs
Temperature:	-20° to +50°C
Wind Loading:	32 Kg / 71 lbs @ 100 mph

## MOUNTING OPTIONS

Kits Available:	MK2/B
-----------------	-------

See Separate Data Sheets

DS: 2131-3	Issued: 110119
Dimensions: mm [inches]	M

Chelton Limited has a policy of continuous development and stress that the information provided is a guide only and does not constitute an offer or contract or part thereof. Whilst every effort is made to ensure the accuracy of the information contained in this brochure, no responsibility can be accepted for any errors or omissions.

The copyright of antenna designs and images is copyright protected and owned by Chelton Limited.  
©Chelton Limited

For further information please contact:  
Chelton Limited,  
Lambda House, Cheveley,  
Newmarket, Suffolk CB8 9RG, UK.  
T: +44 (0)1638 732 177  
E: newmarket.sales@chelton.com  
W: www.chelton.com/microwave