

SVD2-0.4V/2289

Omni Antenna



Key Features

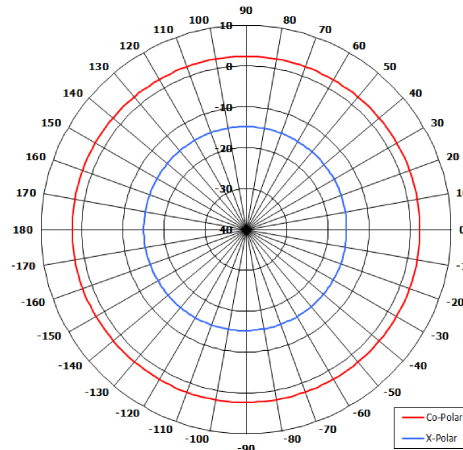
Suitable for Multiple Applications

Lightweight

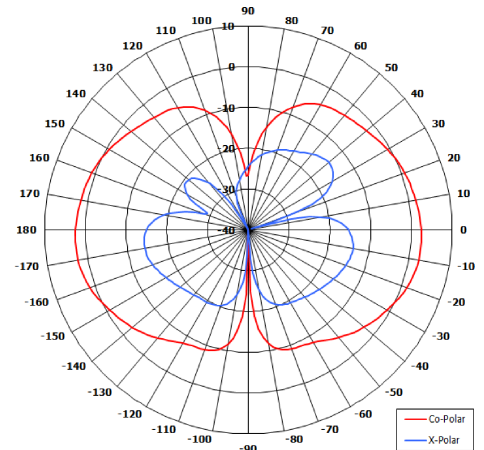
Designed for Security

Applications Compact

Ground Plane Independent

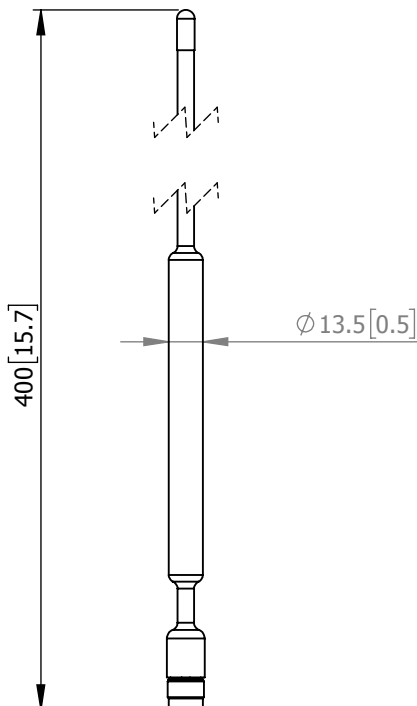


Azimuth Polar Plot
(similar product)



Elevation Polar Plot
(similar product)

**SIDE
VIEW**



**BASE
VIEW**



TNC(M) CONNECTOR



ELECTRICAL

Frequency:	400 - 406 MHz
Gain:	2 dBi Nom.
Polarisation:	Linear (Vertical)
Beamwidth:	360° (Az) x 80° (El) Approx.
Cross Polar:	20 dB Nom.
VSWR:	2:1 Max.
Power Rating:	10 W
Front to Back:	N/A

MECHANICAL

Standard Finish	Black
Mass:	75 g (2.75 oz)
Temperature:	-20° to +50°C
Wind Loading:	0.51 Kg (1.12 lbs) @ 100 mph

MOUNTING OPTIONS

Kits Available:	N/A
-----------------	-----

See Separate Data Sheets

DS: 2289-1 Issued: 071016

Dimensions: mm [inches] m

Chelton Limited has a policy of continuous development and stress that the information provided is a guide only and does not constitute an offer or contract or part thereof. Whilst every effort is made to ensure the accuracy of the information contained in this brochure, no responsibility can be accepted for any errors or omissions.

The copyright of antenna designs and images is copyright protected and owned by Chelton Limited.
©Chelton Limited

For further information please contact: Chelton Limited,
Lambda House, Cheveley,
Newmarket, Suffolk CB8 9RG, UK.
T: +44 (0)1638 732 177
E: newmarket.sales@chelton.com
W: www.chelton.com/microwave