

# FPA19-2.2VH/1995

## Directional Antenna

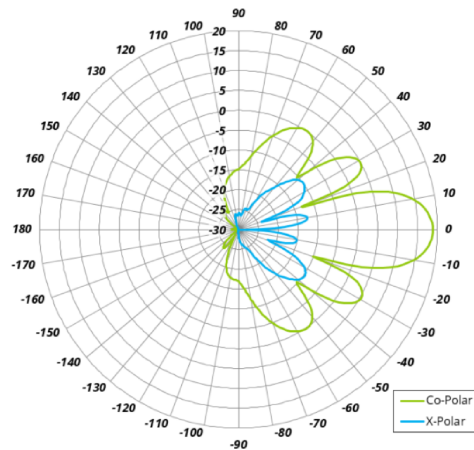
### Key Features:

Designed for security applications

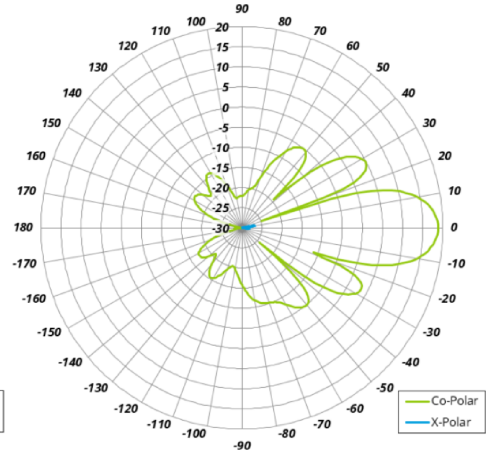
Suitable for tactical comms applications

Dual linear polarisation

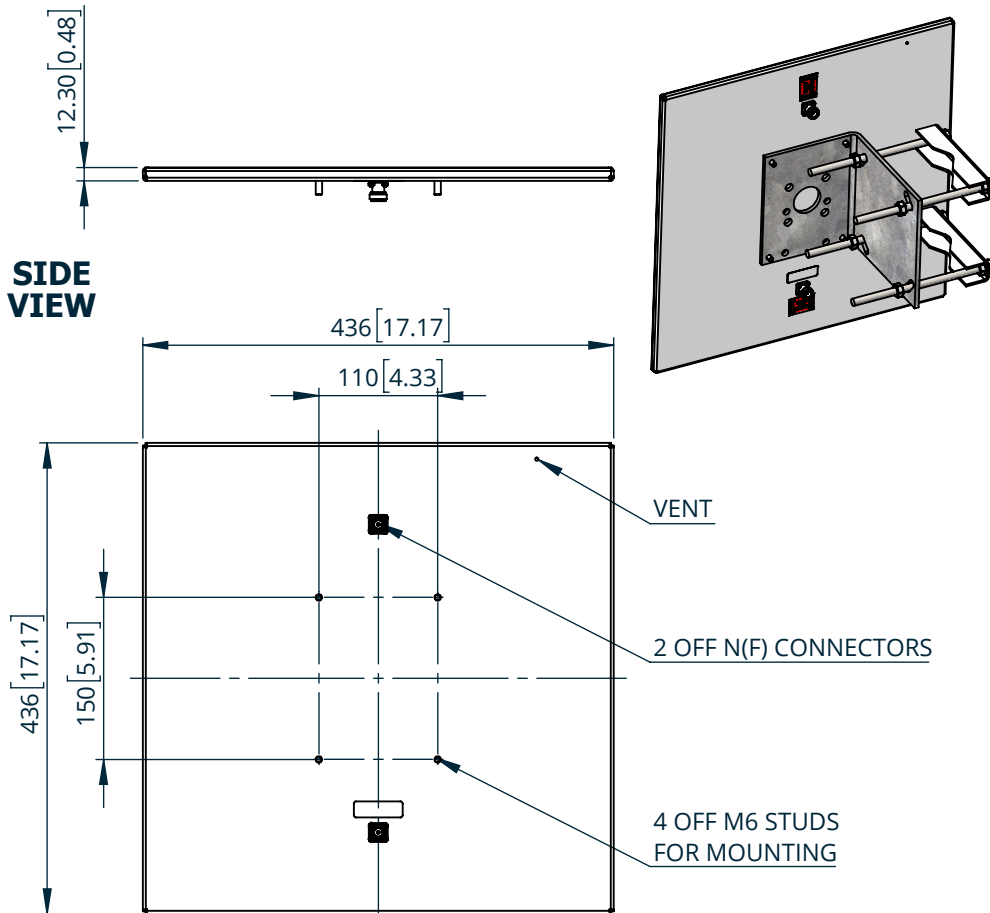
Rugged low profile design



**Azimuth Polar Plot  
(@ 2.3 GHz)**



**Elevation Polar Plot  
(@ 2.3 GHz)**



### REAR VIEW

### ELECTRICAL

<b>Frequency:</b>	2.2 to 2.4 GHz
<b>Gain:</b>	18.2 dBi Typ.
<b>Polarisation:</b>	Vertical and Horizontal
<b>Beamwidth:</b>	17° x 17° Typ.
<b>Cross Polar:</b>	>25 dB
<b>VSWR:</b>	2:1 Max.
<b>Power Rating:</b>	25 W

### MECHANICAL

<b>Standard Finish:</b>	White
<b>Mass:</b>	2.1 Kg / 4.6 lbs
<b>Temperature:</b>	-30 to +55°C

### MOUNTING OPTIONS

<b>Kits Available:</b>	MK2/B
------------------------	-------

See separate datasheet

Full radiation patterns and CAD available on request

**DS:** 1995-3 **Issued:** 210622

**Dimensions:** mm [inches]