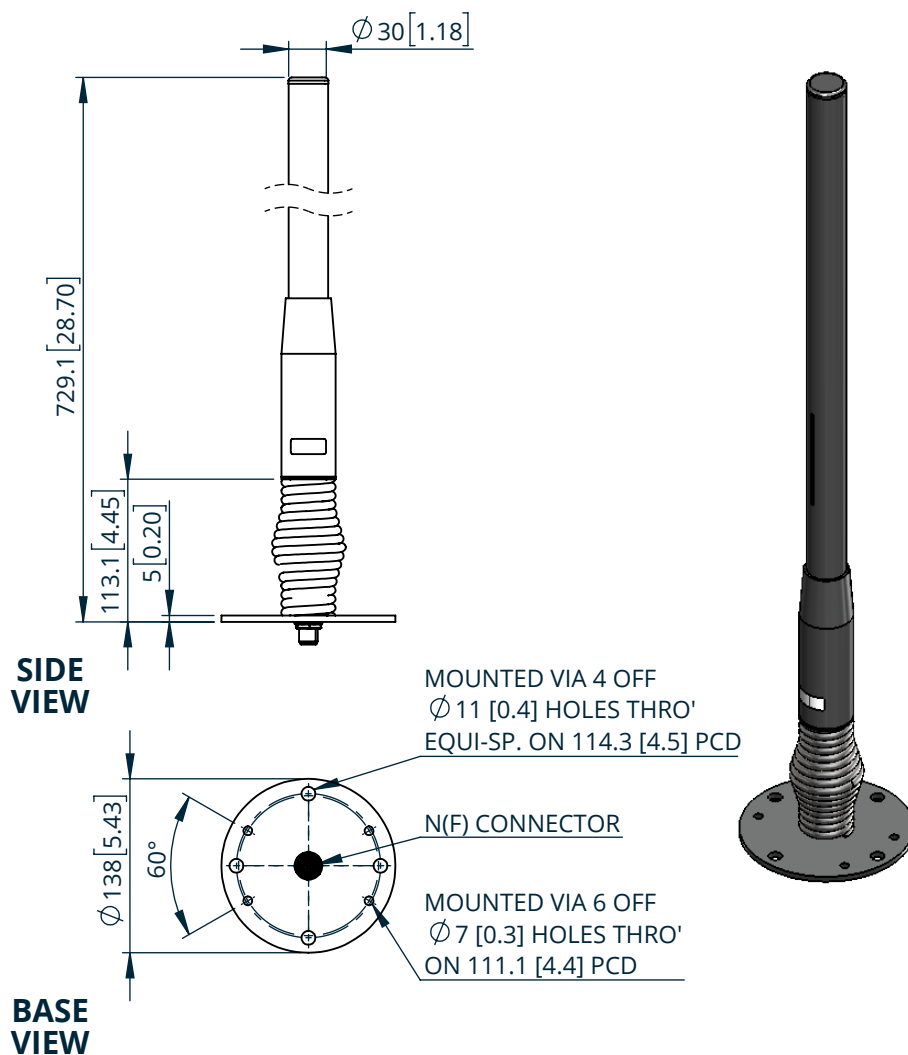
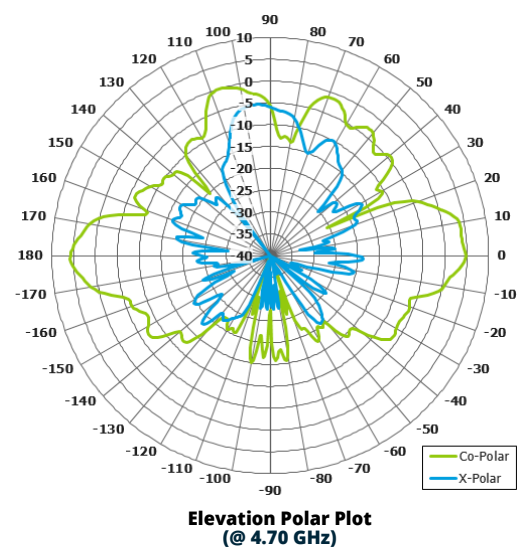
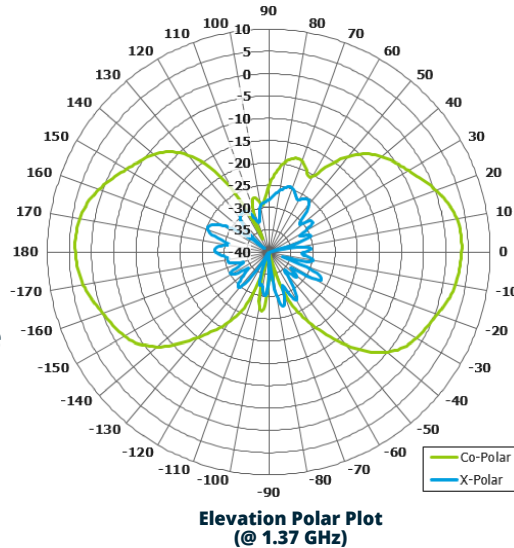


# OA-1.4V-4.7V/2574

## Dual Band Omni Antenna

### Key Features:

- Designed for ground vehicle applications
- Rugged design
- Integral spring
- Standard US/NATO 4 & 6 hole pattern
- Single connector



### ELECTRICAL

|                        |                     |                     |
|------------------------|---------------------|---------------------|
| <b>Frequency:</b>      | 1.35 to 1.39 GHz    | 4.40 to 5.00 GHz    |
| <b>Gain (Peak):</b>    | 4 dBi Typ.          | 4 dBi Typ.          |
| <b>Gain (Average):</b> | 3.5 dBi Typ.        | 5 dBi Typ.          |
| <b>Polarisation:</b>   | Vertical            | Vertical            |
| <b>Beamwidth:</b>      | 360° x 36° Typ.     | 360° x 19° Typ.     |
| <b>Azimuth Ripple:</b> | ±0.2 dB Typ.        | ±1.1 dB Typ.        |
| <b>Cross Polar:</b>    | >20 dB Typ.         | >20 dB Typ.         |
| <b>VSWR:</b>           | 2:1 Max, 1.5:1 Typ. | 2:1 Max, 1.5:1 Typ. |
| <b>Power Rating:</b>   | 10 W                | 10 W                |

### MECHANICAL

|                         |                   |
|-------------------------|-------------------|
| <b>Standard Finish:</b> | Black             |
| <b>Mass:</b>            | 1.3 Kg / 2.86 lbs |
| <b>Temperature:</b>     | -40 to +70°C      |

### MOUNTING OPTIONS

|                        |            |
|------------------------|------------|
| <b>Kits Available:</b> | Integrated |
|------------------------|------------|

Full radiation patterns and CAD available on request

DS: 2574-2

Issued: 210721

Dimensions: mm [inches]