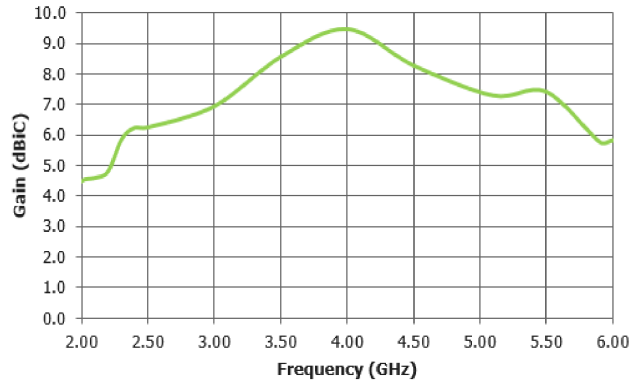


FPA7-2.3-5.9R/1894

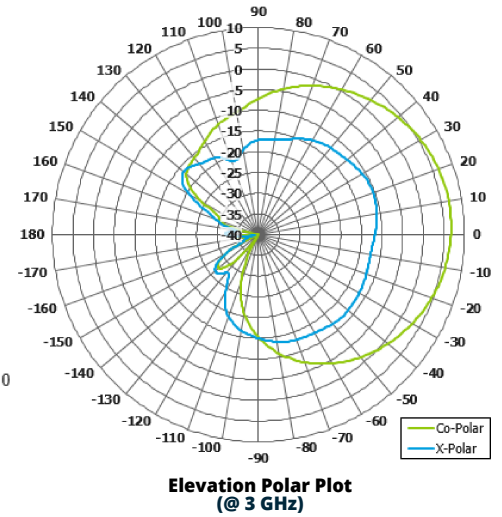
Directional Antenna

Key Features:

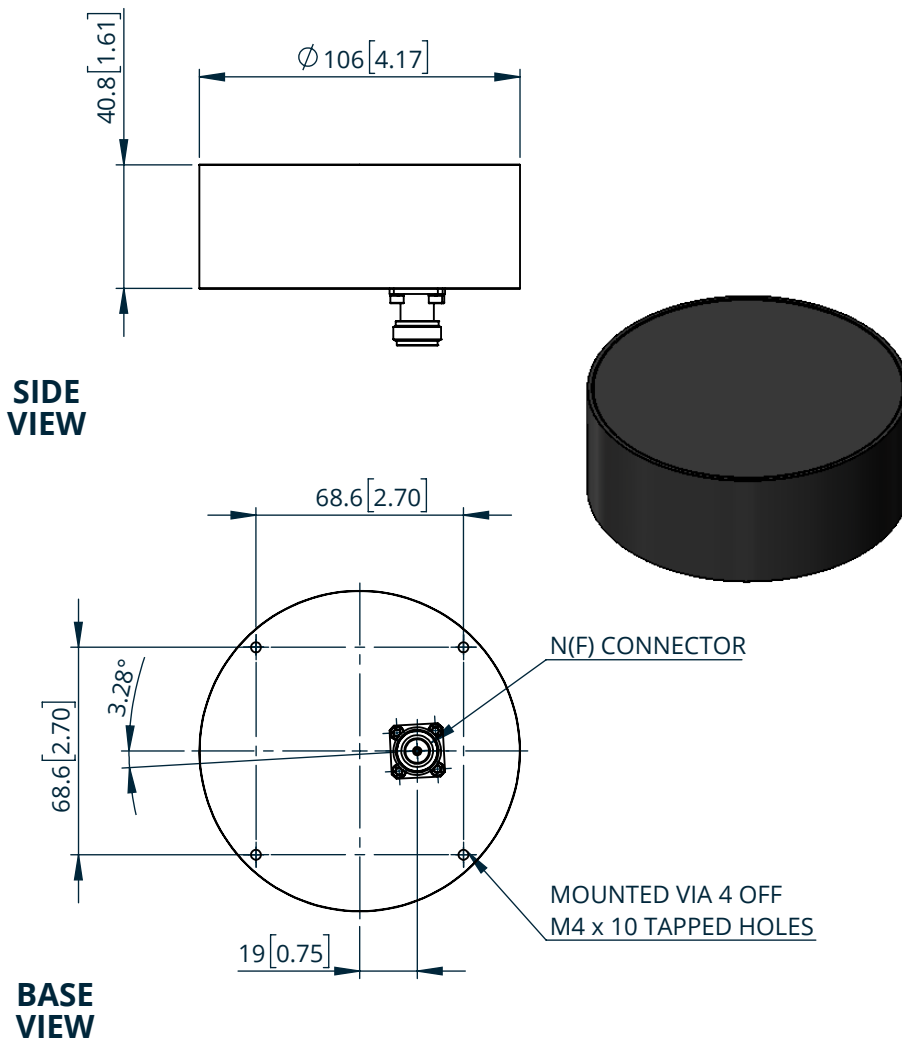
- Suitable for multiple applications
- Wideband performance
- Rugged compact design



Typical Gain Plot



Elevation Polar Plot (@ 3 GHz)



ELECTRICAL

Frequency:	2.0 to 5.9 GHz
Gain:	4.5 to 9.0 dBiC Typ.
Polarisation:	Right hand circular
Beamwidth:	50° to 100° Typ.
Axial Ratio:	2 dB Typ.
VSWR:	2.5:1 Max, < 2:1 Typ.
Power Rating:	10 W

MECHANICAL

Standard Finish:	Black
Mass:	0.42 Kg / 0.93 lbs
Temperature:	-55 to +70°C

Full radiation patterns and CAD available on request

DS: 1894-6

Issued: 070721

Dimensions: mm [inches]