

FPA7-0.7-4.0L/2421

Directional Antenna

Key Features:

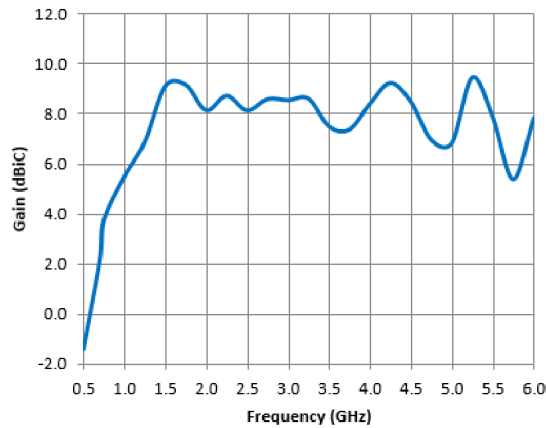
Ultra wideband performance

Suitable for multiple applications

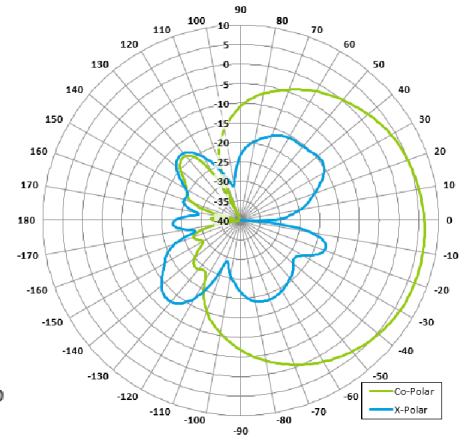
High power

High gain

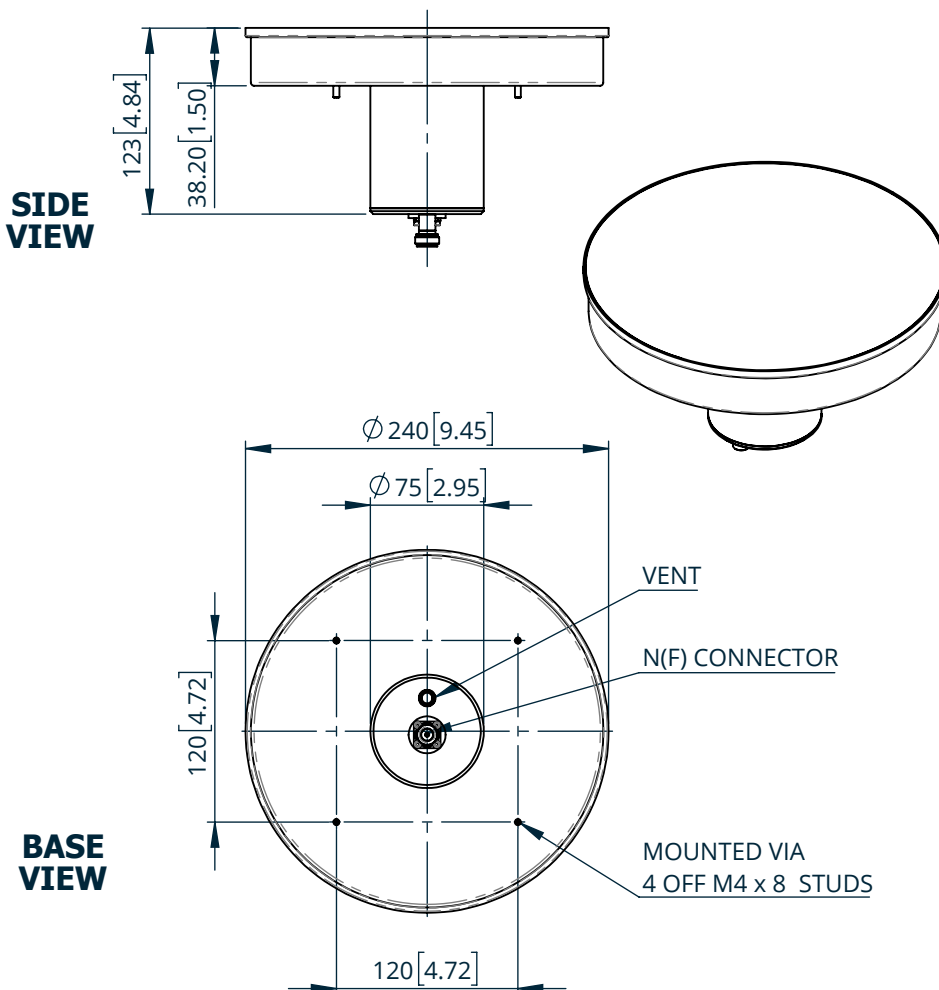
Rugged design



Typical Gain Plot



Azimuth Polar Plot (@ 1.2 GHz)



ELECTRICAL

Frequency: 0.7 to 4.0 GHz

Gain: See typical gain plot

Polarisation: Left hand circular

Beamwidth: 70° to 90° Typ.

Axial Ratio: <1.5 dB Typ.

VSWR: 2.5:1 Max. <2:1 Typ

Power Rating: 50 W

MECHANICAL

Standard Finish: Black

Mass: 0.79 Kg / 1.74 lbs

Temperature: -55 to +60°C

Wind Loading: 39.8N @ 100 mph

Full radiation patterns and CAD available on request

DS: 2421-3

Issued: 070921

Dimensions: mm [inches]