

OA1-1.5V/2634

Omni Antenna

Key Features:

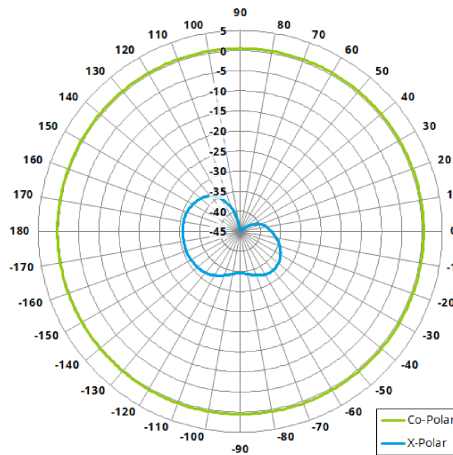
Designed for security applications

High power

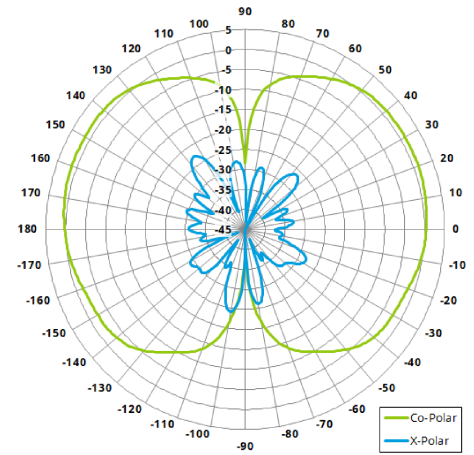
Wide band

Rugged design

Ground plane dependent (monopole)



Azimuth Polar Plot (@ 1.2 GHz)



Elevation Polar Plot (@ 1.2 GHz)

ELECTRICAL

Frequency:	1 to 2 GHz
Gain (Peak):	2 dBi Typ.
Polarisation:	Vertical
Beamwidth:	360° x 70° Typ.
Axial Ratio:	>15 dB
VSWR:	2:1 Typ, 2.5:1 Max.
Power Rating:	50 W
Electrical Tilt:	35-40° Above Horizon Typ.

MECHANICAL

Standard Finish:	White
Mass:	0.2 kg / 0.48 lbs
Temperature:	-40 to +60°C

MOUNTING OPTIONS

Kits Available:	MK4/B
------------------------	-------

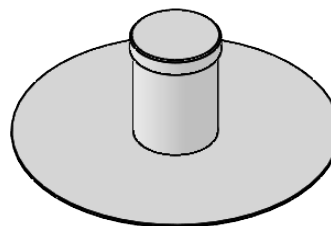
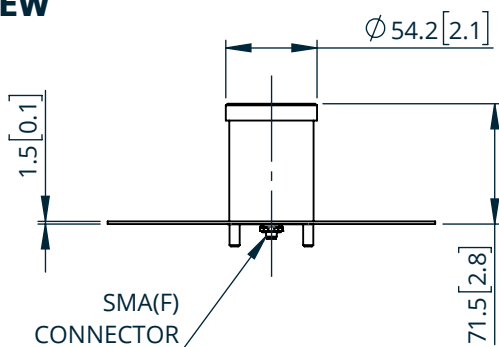
See separate datasheet

Full radiation patterns and CAD available on request

DS: 2634-1 **Issued:** 190523

Dimensions: mm [inches]

SIDE VIEW



BASE VIEW

