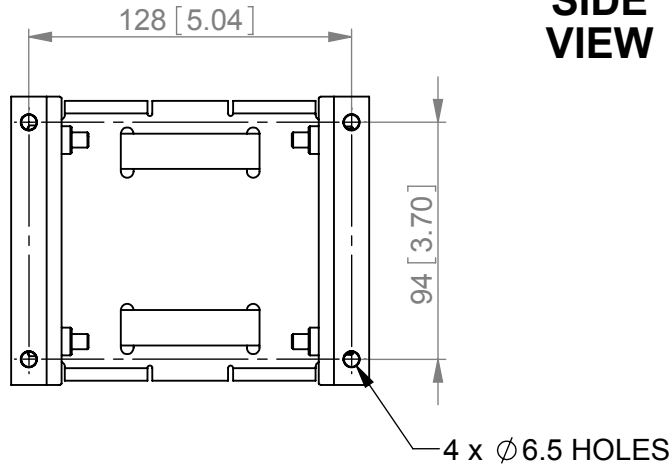


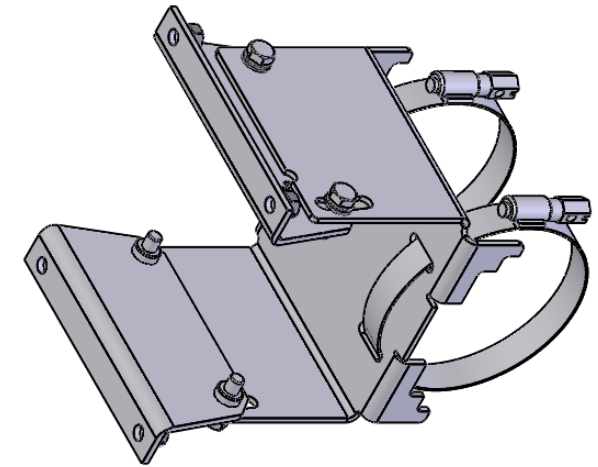
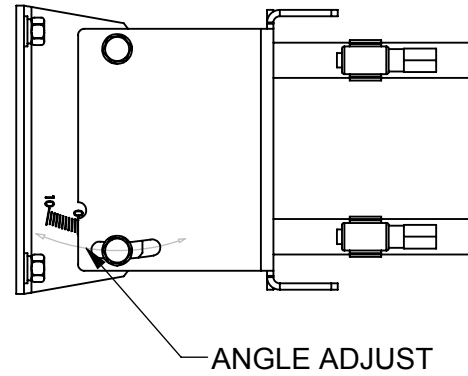
SMALL TILTING MOUNTING KIT MK156A



END VIEW

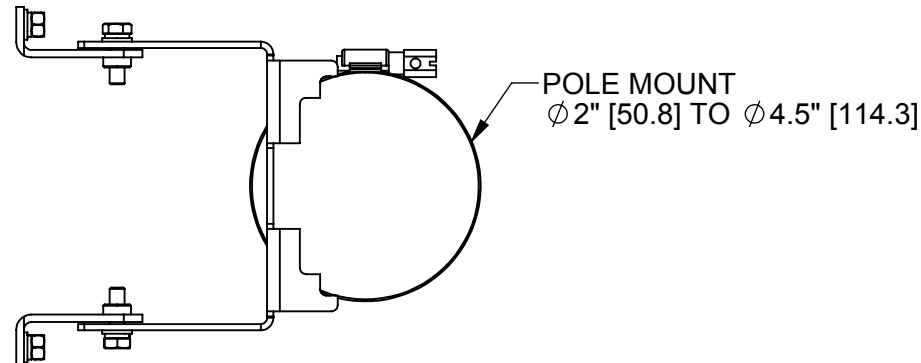


SIDE VIEW



ISOMETRIC VIEW

BASE VIEW



SPECIFICATION:

MATERIAL: 304 STAINLESS STEEL

FINISH: NATURAL

GAUGE: 3.0mm

MASS: 3.2 kg / 7.04 lbs

GA: 156A-1 Issued: 101207

DIMENSIONS: mm [inches]

MK156A

European Antennas Ltd. has a policy of continuous development and therefore stress that the data contained on this sheet should be used for guidance only.

European Antennas Ltd. is part of the Cobham Antennas Division



Certificate No 9268

European Antennas Ltd
 Lambda House, Cheveley
 Newmarket, Suffolk, CB8 9RG, UK
 Tel: +44 (0)1638 731888
sales@european-antennas.co.uk
www.european-antennas.co.uk