



EUROPEAN ANTENNAS

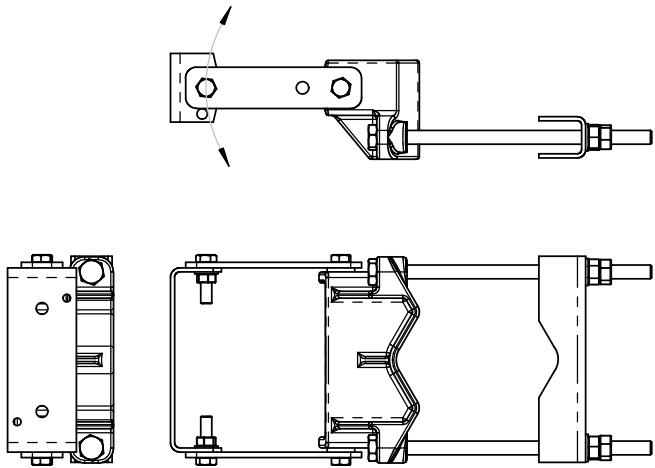
Excellence through design
Creative in concept

SECTOR ANTENNA MOUNTING KIT

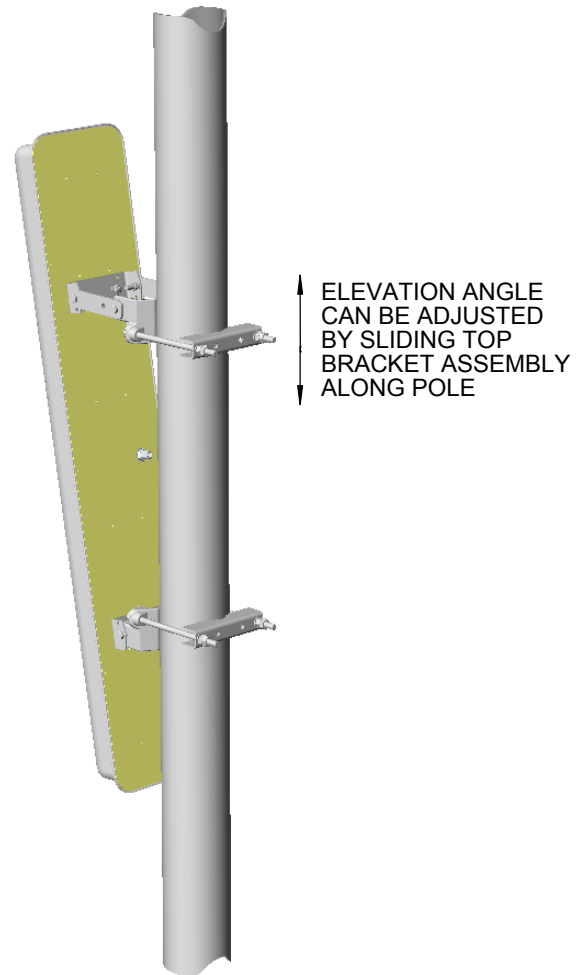
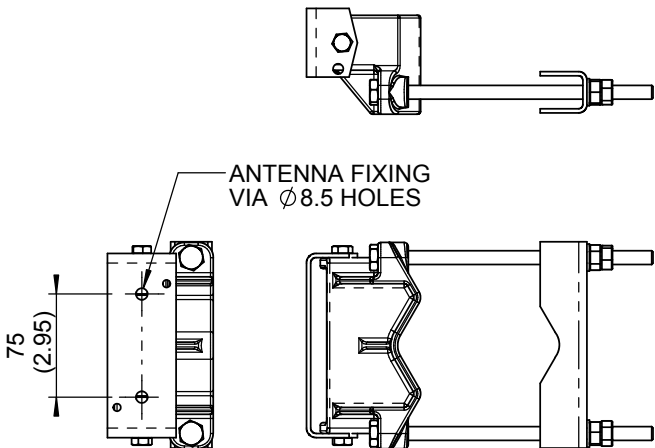
MODEL: MK1/A

MOUNTING:	Fits 40mm (1.6") to 120mm (4.7") poles	MATERIAL:	St. Steel / Aluminium
EL. ADJUSTMENT:	+/- 10° when fixed 560mm (22") apart	FINISH:	Natural
AZ. ADJUSTMENT:	Via rotation on pole	MASS:	2.7 Kg / 5.9 lbs

TOP BRACKET ASSEMBLY



BOTTOM BRACKET ASSEMBLY



PICTORIAL VIEW

NOTE: TOP & BOTTOM BRACKETS
NEED TO BE REVERSED TO
PROVIDE UPTILT

GA:MK1/A-2 Issued: 200207 DIMENSIONS: mm (inches) H

EUROPEAN ANTENNAS LTD.

Tel: +44 (0)1638 731888
Fax: +44 (0)1638 731999

LAMBDA HOUSE, CHEVELEY
NEWMARKET, SUFFOLK, CB8 9RG,
UNITED KINGDOM

E-Mail: sales@european-antennas.co.uk
Website: www.european-antennas.co.uk