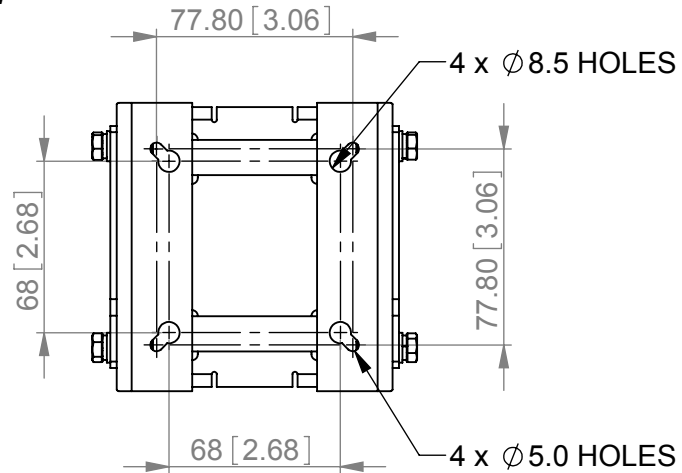
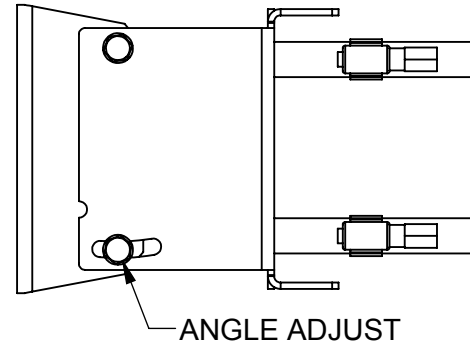


# MOUNTING KIT MK9

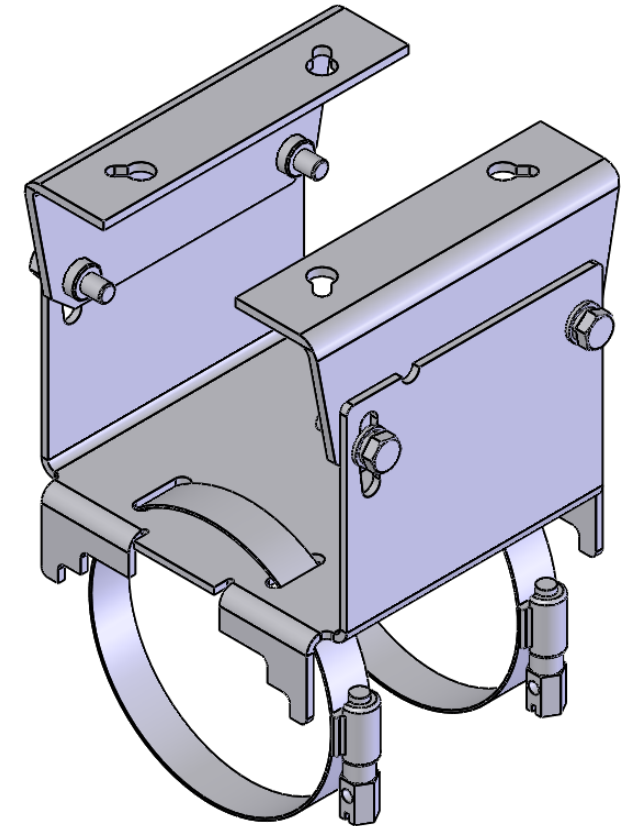
**END  
VIEW**



**SIDE  
VIEW**



**ISOMETRIC  
VIEW**

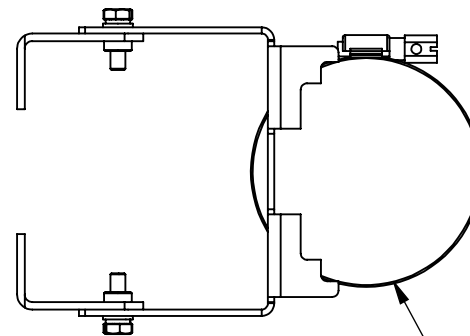


## SPECIFICATION:

<b>MATERIAL:</b>	304 STAINLESS STEEL
<b>FINISH:</b>	NATURAL
<b>GAUGE:</b>	3.0mm
<b>MASS:</b>	3.2 kg / 7.04 lbs

GA: MK9-2      Issued: 081008  
DIMENSIONS: mm [inches]

**BASE  
VIEW**



**MK9**

European Antennas Ltd. has a policy of continuous development and therefore stress that the data contained on this sheet should be used for guidance only.

European Antennas Ltd is part of Cobham Defence Electronic Systems




Certificate No 9268

European Antennas Ltd  
Lambda House, Cheveley  
Newmarket, Suffolk, CB8 9RG, UK  
Tel: +44 (0)1638 731888  
sales@european-antennas.co.uk  
[www.european-antennas.co.uk](http://www.european-antennas.co.uk)