



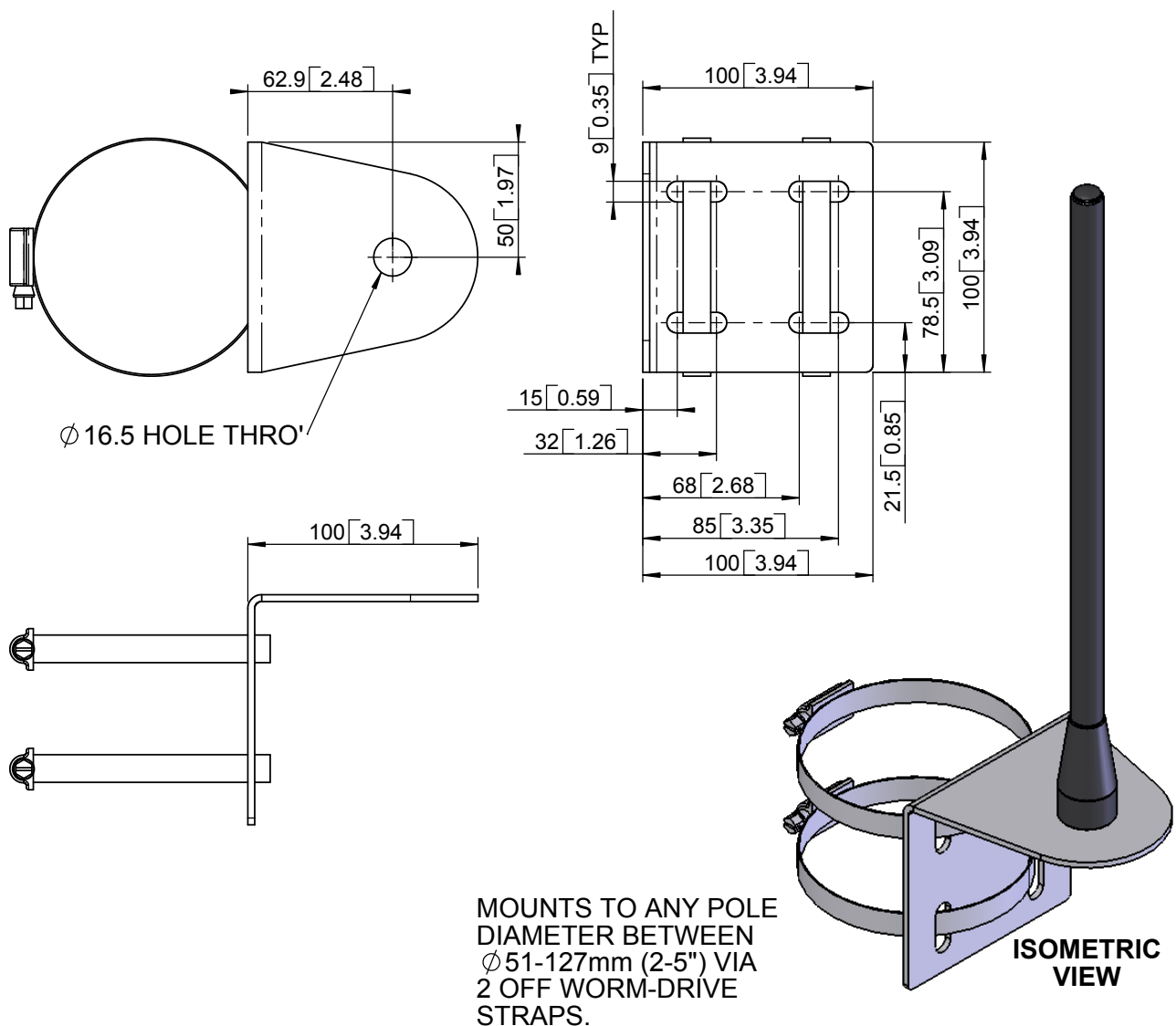
EUROPEAN ANTENNAS

Excellence through design
Creative in concept

EVD2 POLE MOUNTING KIT

MODEL: MK5

MOUNTING:	Fits 50.8 - 127mm (2"-5") poles	MATERIAL:	Stainless Steel
EL. ADJUSTMENT:	None	FINISH:	Natural
AZ. ADJUSTMENT:	Via rotation on pole	MASS:	0.5 Kg / 1.1 lbs



DIMENSIONS: mm (inches)	H
GA: MK5 - 1	Issued: 231106

EUROPEAN ANTENNAS LTD.

Tel: +44 (0)1638 731888
Fax: +44 (0)1638 731999

LAMBDA HOUSE, CHEVELEY
NEWMARKET, SUFFOLK, CB8 9RG,
UNITED KINGDOM

E-Mail: sales@european-antennas.co.uk
Website: www.european-antennas.co.uk