



EUROPEAN ANTENNAS

Excellence through design
Creative in concept

SECTOR ANTENNA MOUNTING KIT

MODEL: MK3

MOUNTING: Fits 51mm (2") poles

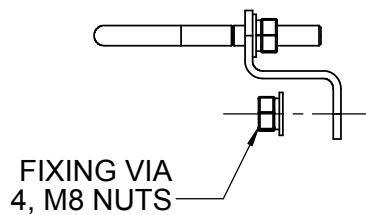
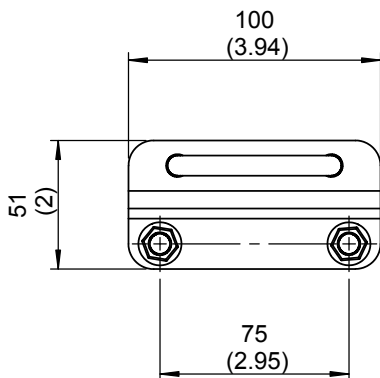
EL. ADJUSTMENT: None

AZ. ADJUSTMENT: Via rotation on pole

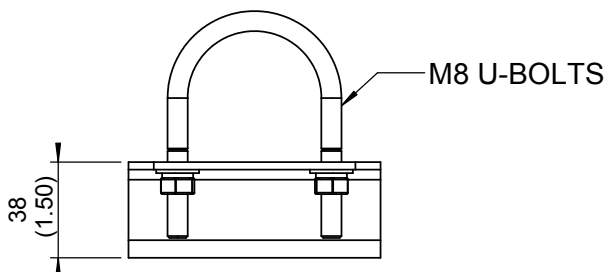
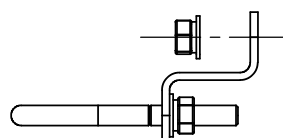
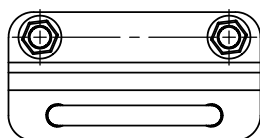
MATERIAL: Mild Steel / St. Steel

FINISH: Zinc Plated / Natural

MASS: 0.52 Kg / 1.14 lbs

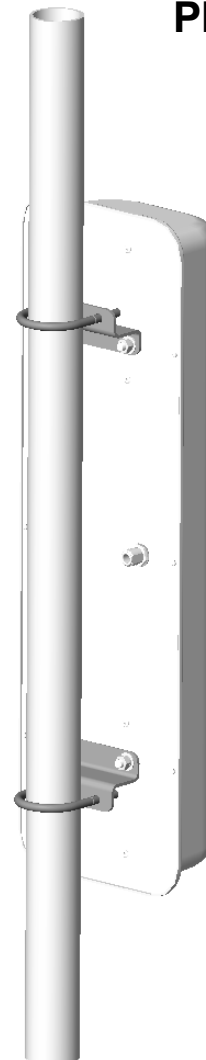


FIXING VIA
4, M8 NUTS



M8 U-BOLTS

PICTORIAL VIEW



GA: MK3 - 1 | Issued: 190406 | DIMENSIONS: mm (inches) | H

EUROPEAN ANTENNAS LTD.

Tel: +44 (0)1638 731888
Fax: +44 (0)1638 731999

LAMBDA HOUSE, CHEVELEY
NEWMARKET, SUFFOLK, CB8 9RG,
UNITED KINGDOM

E-Mail: sales@european-antennas.co.uk
Website: www.european-antennas.co.uk

European Antennas Ltd. has a policy of continuous development and therefore stress that the data contained on this sheet should be used for guidance only.