



# EUROPEAN ANTENNAS

Excellence through design  
Creative in concept

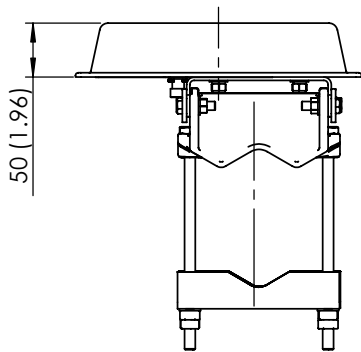
## SECTOR ANTENNA PROVISIONAL SPECIFICATION

### MODEL: SA16-60-3.5V/9302

CONFORMS TO ETSI EN 302 085 V1.1.2 CLASS CS 3 SYMMETRICAL ELEVATION PATTERN (3.4 - 3.72 ONLY)

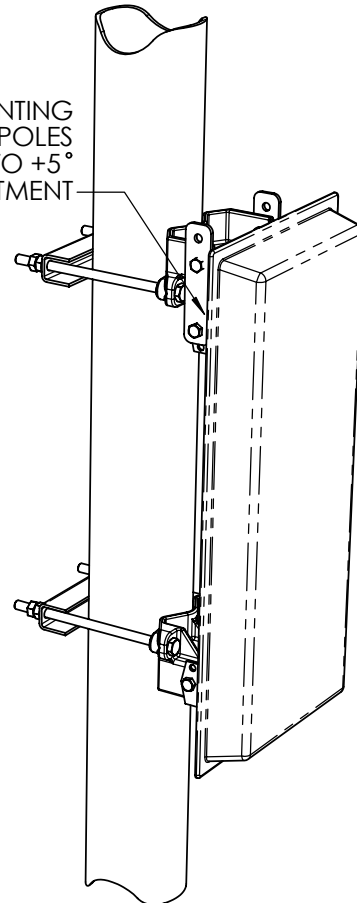
<b>FREQUENCY:</b>	3.30 - 3.80GHz	<b>GAIN:</b>	16.0 dBi Nominal
<b>POLARISATION:</b>	Linear (Vertical)	<b>BEAMWIDTH:</b>	60° (Azimuth) x 10° (Elevation)
<b>CROSS POLAR:</b>	25 dB Typ.	<b>VSWR:</b>	1.5:1 (3.4 - 3.72), 2.5:1 Elsewhere
<b>POWER RATING:</b>	20 W	<b>FRONT TO BACK:</b>	30 dB min
<b>TEMPERATURE:</b>	-45° to +65°C	<b>MASS:</b>	1.86 Kg / 4.1 lbs Excl. Mtg. Kit
<b>FINISH:</b>	White Radome	<b>WIND LOADING:</b>	25.3 Kg / 55.8 lbs @ 100 mph
<b>INDEX OF ENVIRONMENTAL PROTECTION:</b>	IP67		

### TOP VIEW



265 (10.43)

ADJUSTABLE MOUNTING  
BRACKET FOR 2"-4.5" POLES  
PROVIDING -10 TO +5°  
OF ELEVATION ADJUSTMENT



### PICTORIAL VIEW

N(F) TYPE  
CONNECTOR

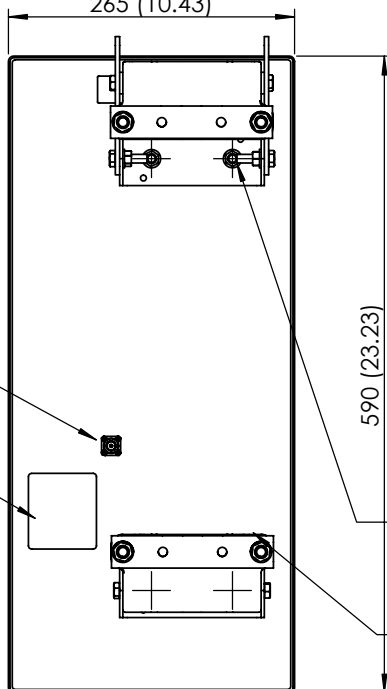
LABELS

590 (23.23)

M8 STUDS FOR  
MOUNTING BRACKET  
(NOT SHOWN FOR CLARITY)

ALOCROM 1200  
CHASSIS

### REAR VIEW



DIMENSIONS: mm (inches)

GA: 9302-A Issued:131204

EUROPEAN ANTENNAS LTD.

Tel: +44 (0)1638 731888  
Fax: +44 (0)1638 731999

LAMBDA HOUSE, CHEVELEY  
NEWMARKET, SUFFOLK, CB8 9RG,  
UNITED KINGDOM

E-Mail: sales@european-antennas.co.uk  
Website: www.european-antennas.co.uk