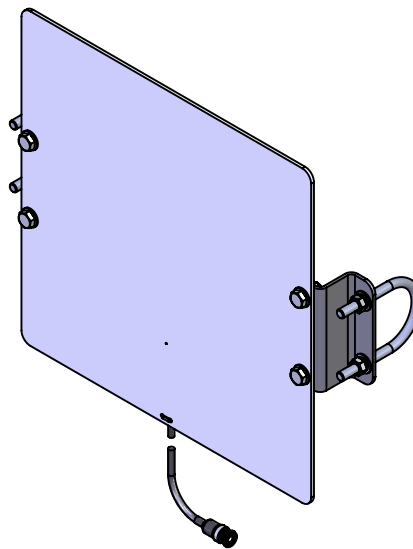
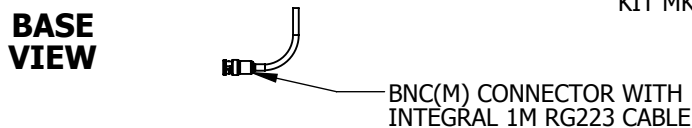
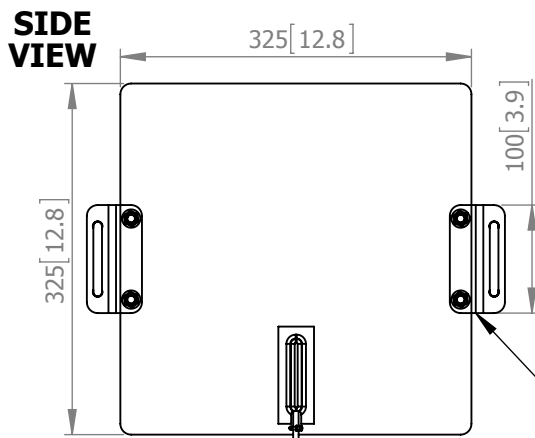
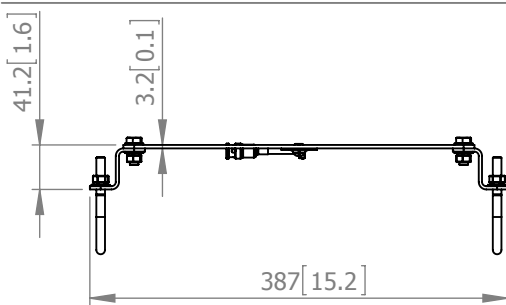
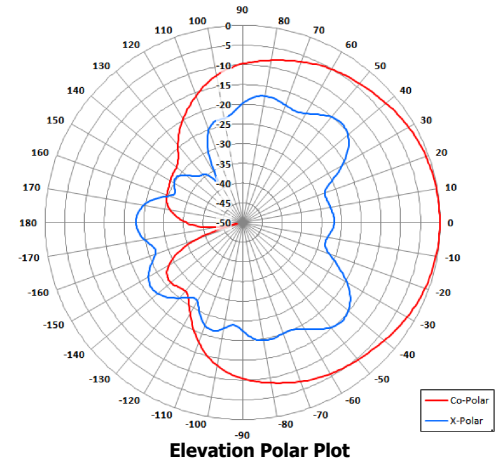
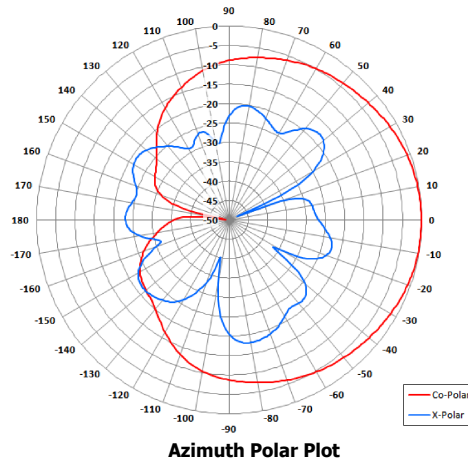


The most important thing we build is trust

Key Features

- Directional
- Circular Polarisation
- Flying Lead
- Designed for Outside Application



MOUNTS TO 2" POLE VIA OPTIONAL MOUNTING KIT MK3

ELECTRICAL

Frequency:	433 MHz
Gain:	0 dBIC
Polarisation:	Right Hand Circular
Beamwidth:	80° (Az) x 80° (El) Approx.
Axial Ratio:	<3 dB
VSWR:	<1.5:1
Power Rating:	5 W
Front to Back:	>30 dB

MECHANICAL

Standard Finish:	White
Mass:	750 g / 1.65 lbs
Temperature:	-20° to +50°C
Wind Loading:	17.1 Kg / 37.6 lbs @ 100 mph

MOUNTING OPTIONS

Kits Available:	MK3
See Separate Data Sheets	

GA: 9401-2 Issued: 18.06.14
Dimensions: mm [inches] M

European Antennas Limited trading as Cobham Antenna Systems, Microwave Antennas

European Antennas Limited has a policy of continuous development and stress that the information provided is a guide only and does not constitute an offer or contract or part thereof. Whilst every effort is made to ensure the accuracy of the information contained in this Data Sheet, no responsibility can be accepted for any errors or omissions.

The copyright of antenna designs and images is copyright protected and owned by European Antennas Limited.
©European Antennas Limited.

For further information please contact:

Cobham Antenna Systems, Microwave Antennas, Lambda House, Cheveley, Newmarket, Suffolk, CB8 9RG, UK

T: +44 (0) 1638 732177
E: newmarket.sales@cobham.com
W: www.cobham.com/antennasystems/microwaveantennas