

RFID FLAT PANEL ANTENNA

FPA4-0.4R/9402 (FOR INDOOR USE ONLY)



ELECTRICAL

FREQUENCY:	433 MHz
GAIN:	4 dBiC
POLARISATION:	Right Hand Circular
BEAMWIDTH:	47° (Az) x 48° (El)
AXIAL RATIO:	<3 dB Typical
VSWR:	1.5:1
POWER RATING:	5 W
FRONT TO BACK:	20dB

MECHANICAL

STANDARD FINISH:	Gloss White
MASS:	3.5 kg / 7.7 lbs
TEMPERATURE:	-20° to +50°C
WIND LOADING:	N/A

MOUNTING OPTIONS

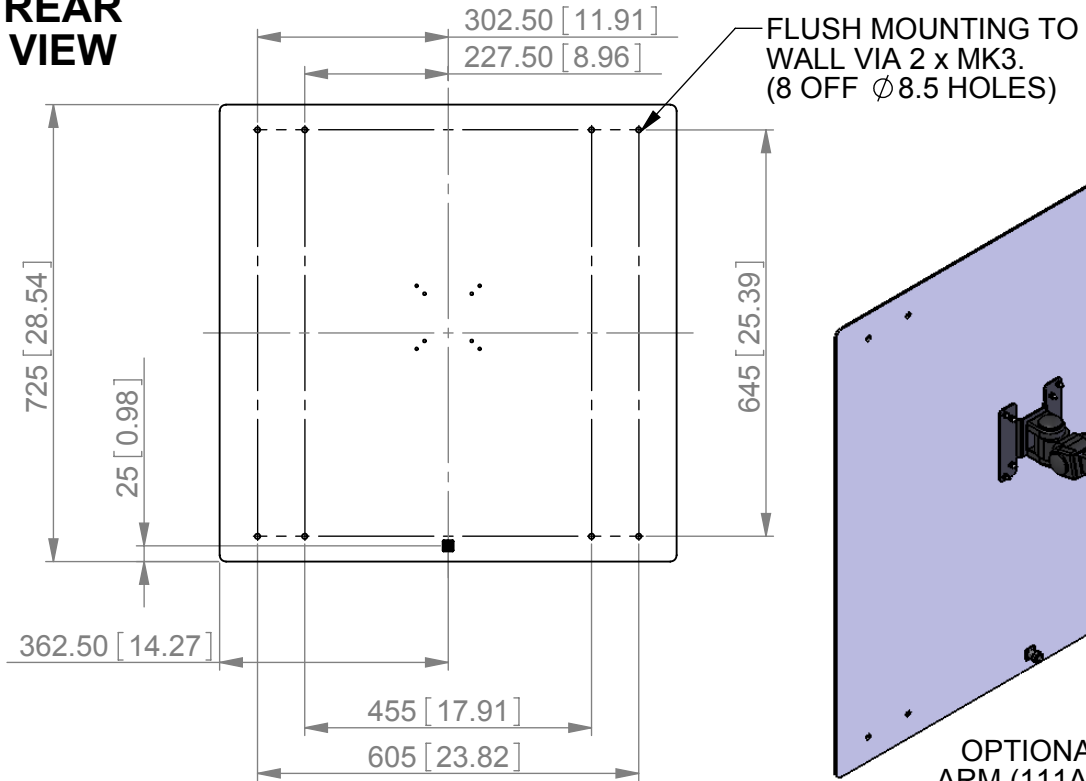
KITS AVAILABLE:	Swivel & Pivot Arm (111A) or 2 x MK3
-----------------	---

See Separate Data Sheets

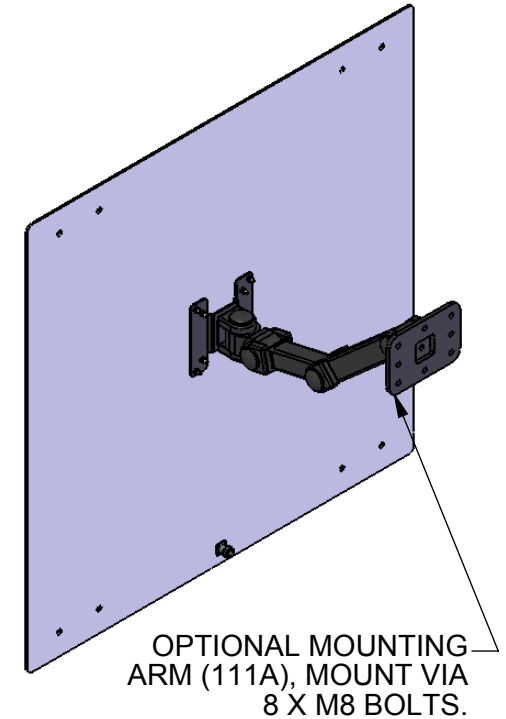
GA: 9402-4

Issued: 140208

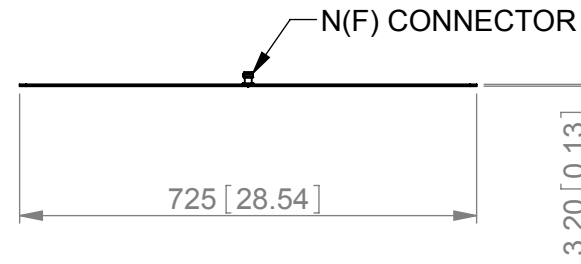
REAR VIEW



ISOMETRIC VIEW



BASE VIEW



FPA4-0.4R/9402

European Antennas Ltd. has a policy of continuous development and therefore stress that the data contained on this sheet should be used for guidance only.

European Antennas Ltd. is part of the Cobham Antennas Division



Certificate No 9268

European Antennas Ltd
 Lambda House, Cheveley
 Newmarket, Suffolk, CB8 9RG, UK
 Tel: +44 (0)1638 731888
 sales@european-antennas.co.uk
www.european-antennas.co.uk