

RFID ABOVE DOOR ANTENNA SA4-0.4V/9404



ELECTRICAL

FREQUENCY:	400 - 450 MHz
GAIN:	5.0 dBi Typical
POLARISATION:	Linear (Vertical)
BEAMWIDTH:	160° (Az) x 57.5° (El) Approx
VSWR:	1.5:1
POWER RATING:	10 W
FRONT TO BACK:	11 dB Typical

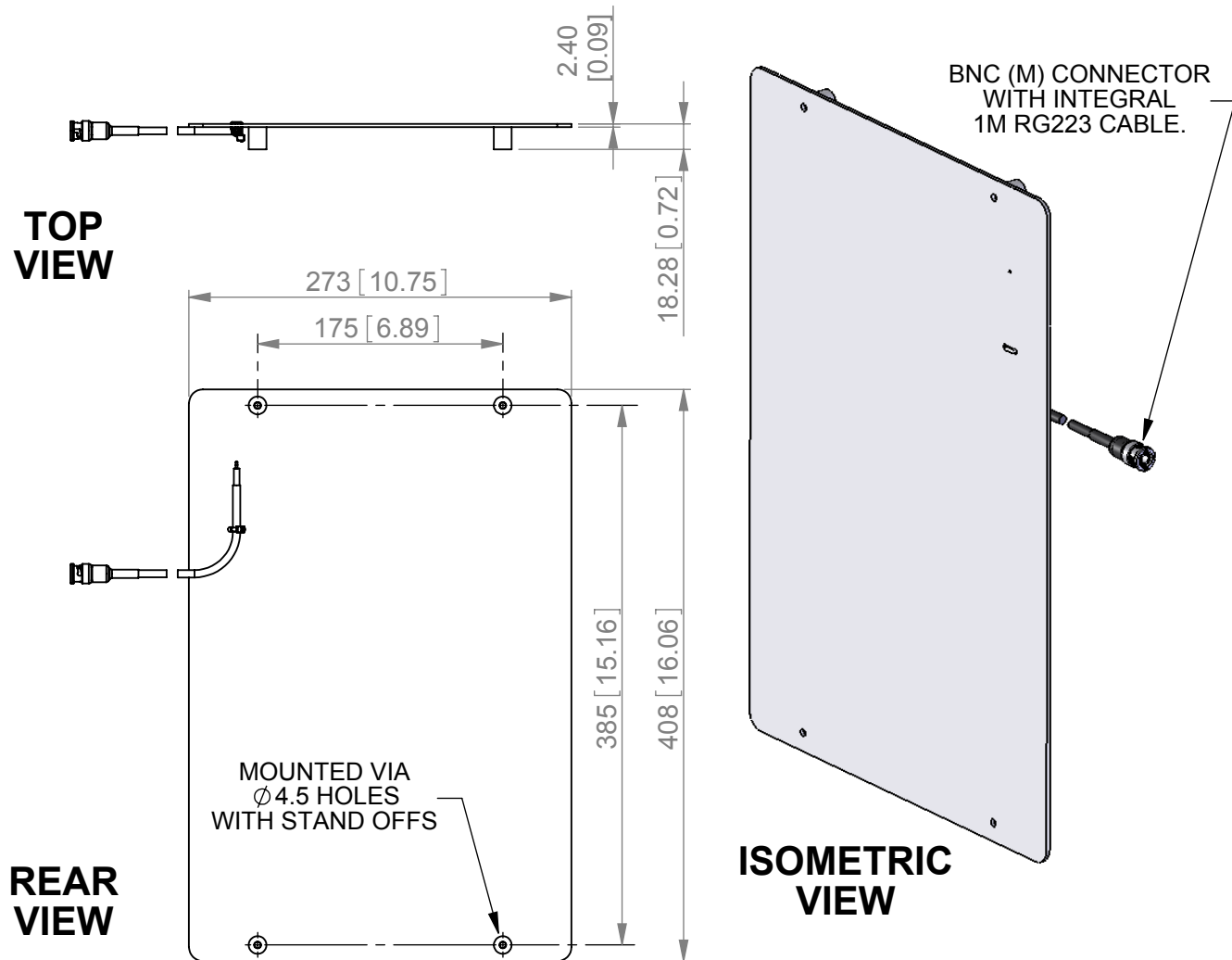
MECHANICAL

STANDARD FINISH:	Gloss White
MASS:	<0.5 Kg / 1.1 lbs
TEMPERATURE:	-40° to +60°C
WIND LOADING:	N/A

MOUNTING OPTIONS

KITS AVAILABLE:	N/A
-----------------	-----

GA: 9404-1 Issued: 040108
 DIMENSIONS: mm [inches] M



SA4-0.4V/9404

European Antennas Ltd. has a policy of continuous development and therefore stress that the data contained on this sheet should be used for guidance only.

European Antennas Ltd. is part of the Cobham Antennas Division



Certificate No 9268

European Antennas Ltd
 Lambda House, Cheveley
 Newmarket, Suffolk, CB8 9RG, UK
 Tel: +44 (0)1638 731888
 sales@european-antennas.co.uk
www.european-antennas.co.uk