

# HEMI OMNI ANTENNA HOA2-1.6L/9801



## ELECTRICAL

FREQUENCY:	1.525 - 1.6605 GHz
GAIN:	2.5 dBiC Nom.
POLARISATION:	Left Hand Circular
BEAMWIDTH:	150° (Az) x 150° (El) Approx.
AXIAL RATIO:	3.5 dB Typ.
VSWR:	1.5:1
POWER RATING:	10 W
FRONT TO BACK:	N/A

## MECHANICAL

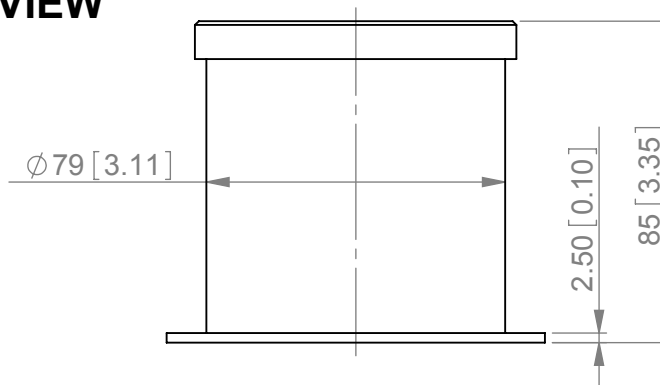
STANDARD FINISH:	Matt Black
MASS:	700 g / 24.64 ozs
TEMPERATURE:	-40° to +60°C
WIND LOADING:	1.28 kg / 2.82 lbs @ 100 mph

## MOUNTING OPTIONS

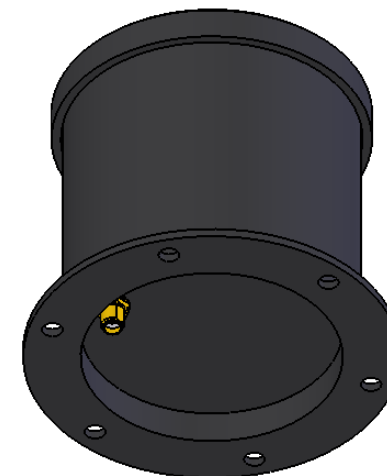
KITS AVAILABLE:	N/A
See Separate Data Sheets	

GA: 9801-1      Issued: 151008  
DIMENSIONS: mm [inches] H

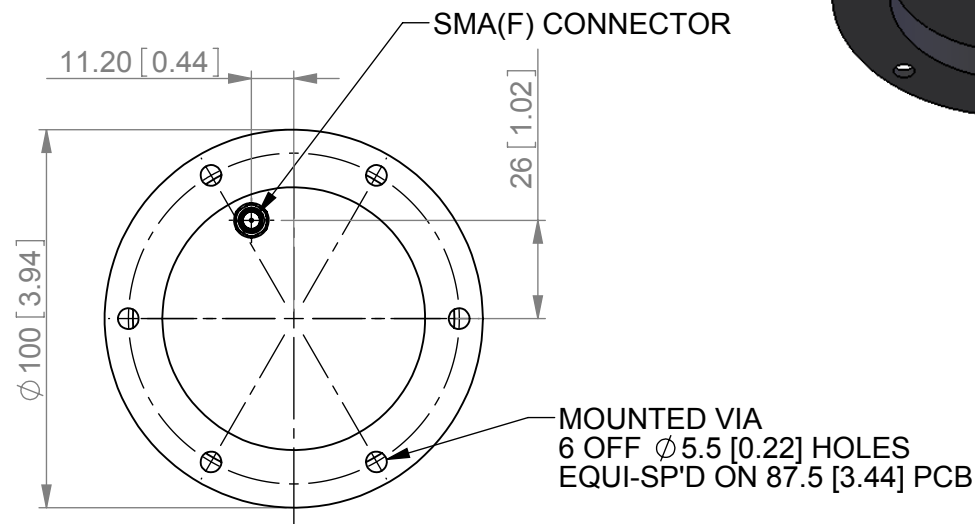
**SIDE VIEW**



**ISOMETRIC VIEW**



**BASE VIEW**



HOA2-1.6L/9801

European Antennas Ltd. has a policy of continuous development and therefore stress that the data contained on this sheet should be used for guidance only.

European Antennas Ltd is part of Cobham Defence Electronic Systems



Certificate No 9268

European Antennas Ltd  
Lambda House, Cheveley  
Newmarket, Suffolk, CB8 9RG, UK  
Tel: +44 (0)1638 731888  
sales@european-antennas.co.uk  
[www.european-antennas.co.uk](http://www.european-antennas.co.uk)