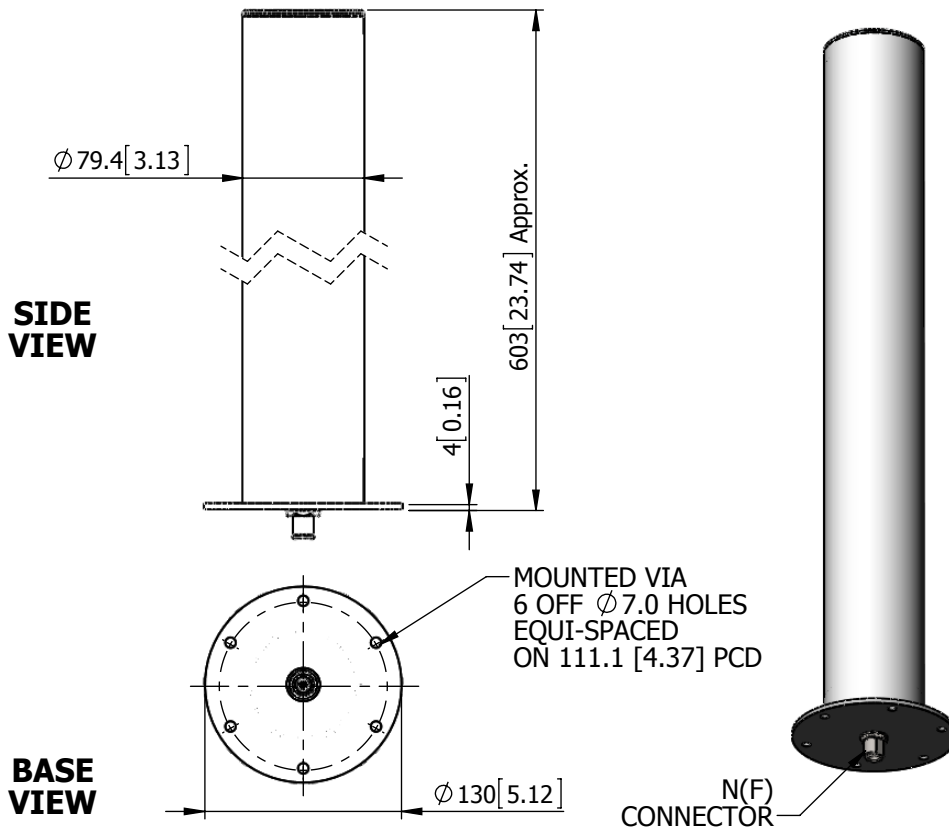
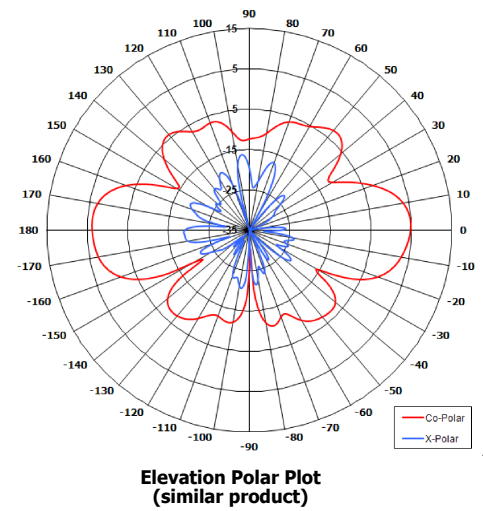
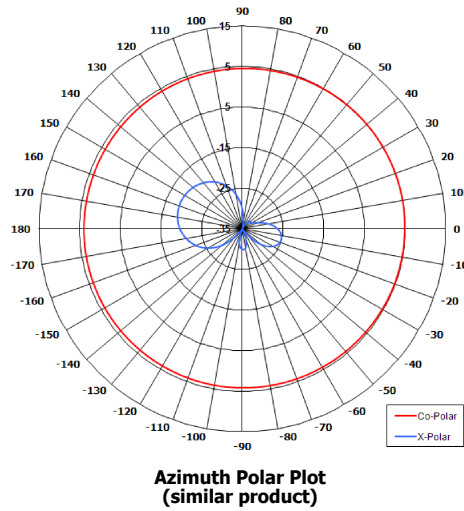


OA4-0.96-1.22V/1990

Omni Antenna

Provisional Specification

The most important thing we build is trust.



ELECTRICAL

Frequency:	960 - 1215 GHz
Gain:	4.5 dBi Nom.
Polarisation:	Linear (Vertical)
Beamwidth:	360° (Az) x 33° (E) Approx.
Cross Polar:	>20 dB Typ.
VSWR:	2:1 Max, <1.5:1 Typ.
Power Rating:	200 W @ 50% Duty
Impedance:	50 Ohms
DC Grounding:	DC Grounded

MECHANICAL

Standard Finish:	Grey Marine Paint
Mass:	2.2 Kg (4.84 lbs) Approx.
Temperature:	-40° to +50°C
Wind Loading:	8.2 Kg (18 lbs) @ 100 mph
Ice Load:	20mm all over @ 100 mph max.

MOUNTING OPTIONS

Kits Available:	N/A
See Separate Data Sheets	

GA: 1990-A	Issued: 230212
Dimensions: mm [Inches]	M

European Antennas Limited trading as Cobham Antenna Systems, Microwave Antennas

European Antennas Limited has a policy of continuous development and stress that the information provided is a guide only and does not constitute an offer or contract or part thereof. Whilst every effort is made to ensure the accuracy of the information contained in this datasheet, no responsibility can be accepted for any errors or omissions.

The copyright of antenna designs and images is copyright protected and owned by European Antennas Limited.
©European Antennas Limited.

For further information please contact:

Cobham Antenna Systems, Microwave Antennas

Lambda House, Cheveley,
Newmarket, Suffolk. CB8 9RG, UK

Tel +44 (0)1638 732177

Fax +44 (0)1638 731999

E-mail newmarket.sales@cobham.com