

# SA9-180-0.96-1.22V/1814

LINK16 Sector Antenna

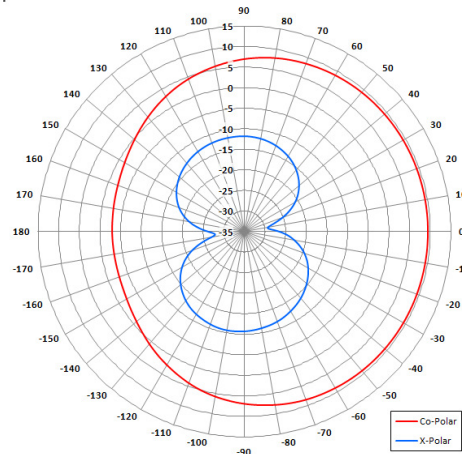


The most important thing we build is trust.

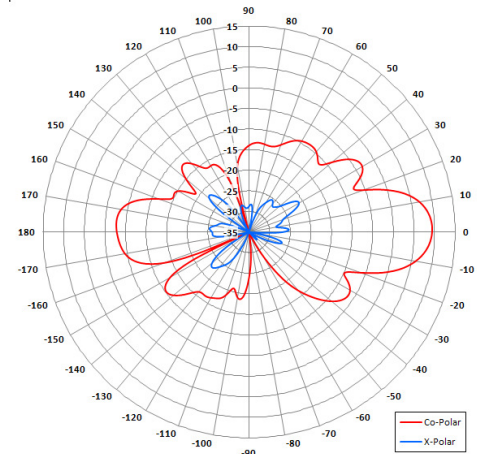
Pattern - Sectorial

Designed for LINK16 Applications

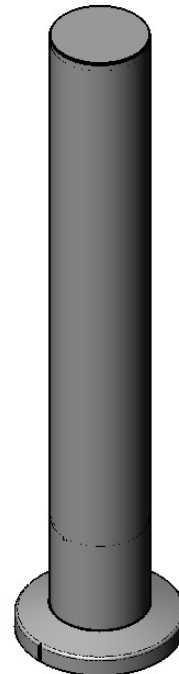
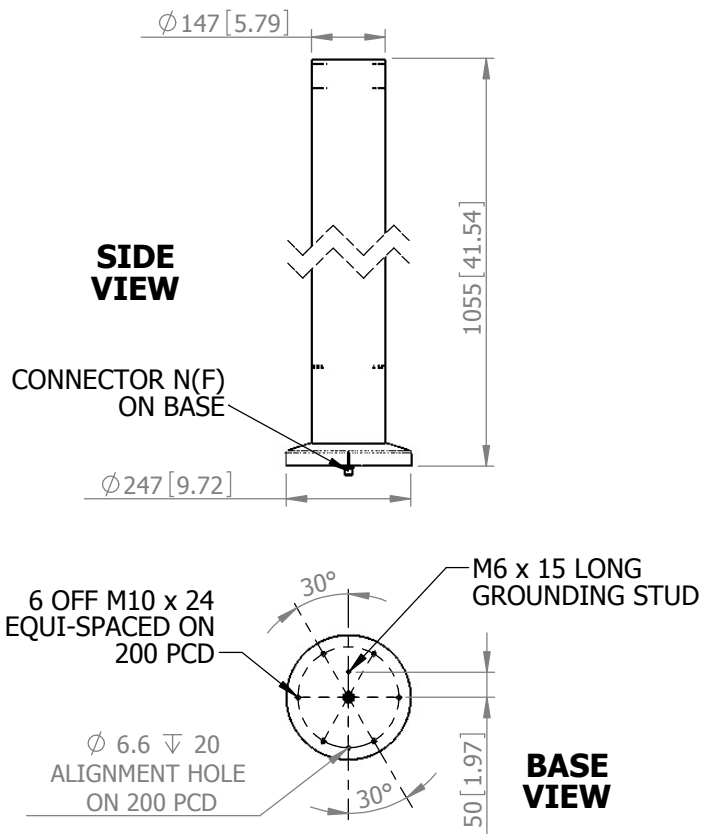
Suitable for Ground to Air Links



Azimuth Polar Plot



Elevation Polar Plot



## ELECTRICAL

Frequency:	960-1215MHz
Gain:	9 dBi
Polarisation:	Linear (Vertical)
Beamwidth:	180° (Az) x 20° (El)
VSWR:	1.5:1 Max (free space)
Power Rating:	100 W Average (200W Peak)
Front to Back:	9.5 dB Min
Electrical Tilt:	0°

## MECHANICAL

Standard Finish:	Interthane 987 'Storm Grey' (N42)
Mass:	6.9 Kg / 14.1 lbs
Temperature:	-28° to +55°C
Wind Loading:	300N @ 100 mph

## MOUNTING OPTIONS

Kits Available: Direct Mounting  
See Separate Data Sheets

GA: 1814-D Issued: 110811  
Dimensions: mm [inches] L

European Antennas Limited trading as Cobham Antenna Systems, Microwave Antennas

European Antennas Limited has a policy of continuous development and stress that the information provided is a guide only and does not constitute an offer or contract or part thereof. Whilst every effort is made to ensure the accuracy of the information contained in this datasheet, no responsibility can be accepted for any errors or omissions.

The copyright of antenna designs and images is copyright protected and owned by European Antennas Limited.  
©European Antennas Limited.

For further information please contact:

Cobham Antenna Systems, Microwave Antennas

Lambda House, Cheveley,  
Newmarket, Suffolk. CB8 9RG, UK  
Tel +44 (0) 1638 732177  
Fax +44 (0) 1638 731999  
antennasystems.ma@cobham.com