

MBA6-3.5DS45/2045

MIMO Enabled Six Way Multi-Beam Antenna

Provisional Specification

The most important thing we build is trust.

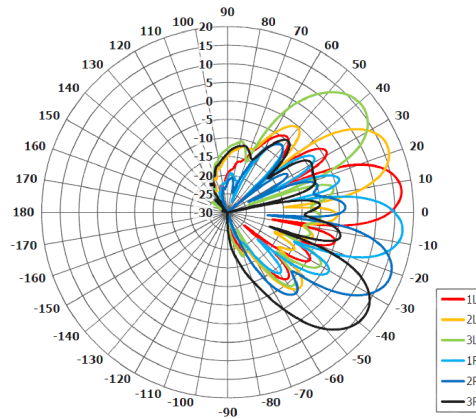
6-way (+/-45°) MIMO Antenna

High gain, 90 degree azimuth coverage

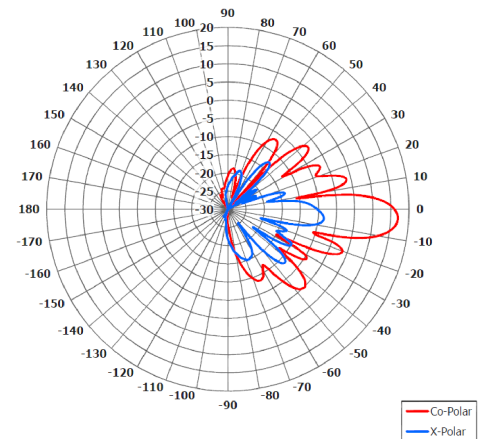
Meets ETSI: EN302 326-3

Low Azimuth sidelobes for reduced interference

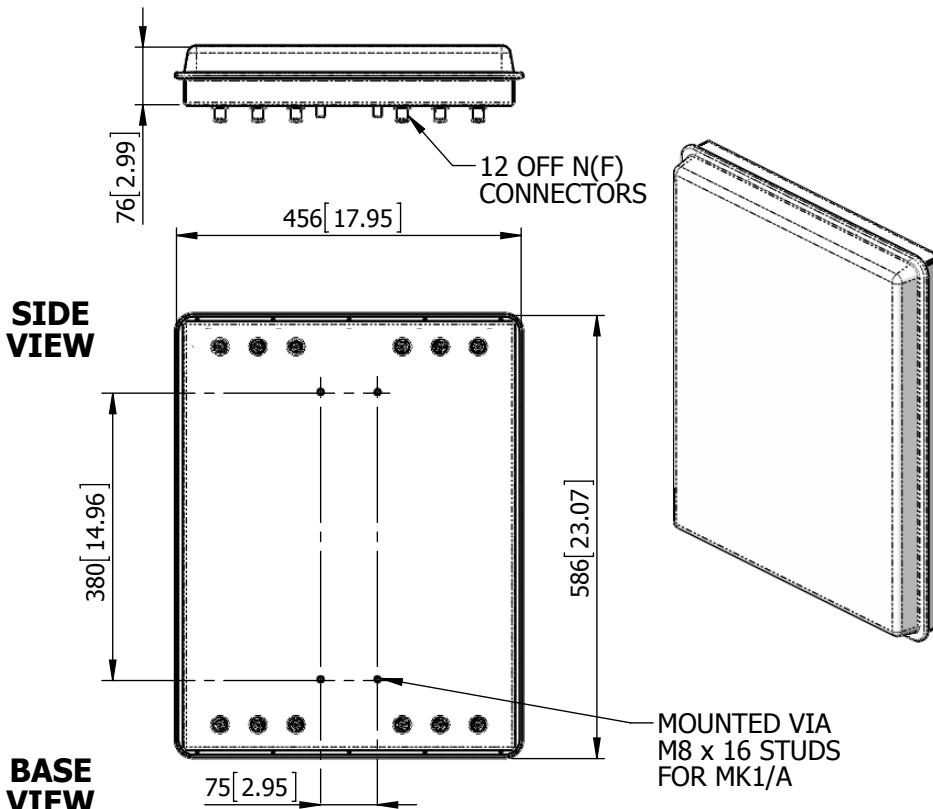
Applications for 4G and Military/Security



Azimuth Polar Plot (provisional)



Elevation Polar Plot (provisional)



ELECTRICAL

Frequency:	3.4 - 3.6 GHz
Gain:	17 dBi Approx.
Polarisation:	Dual Slant 45°
Beamwidth (Az):	15° Each Beam Approx.
Beamwidth (El):	9° Each Beam Approx.
Cross Polar:	15 dB Min.
VSWR:	2:1
Power Rating:	20 W
Front to Back:	N/A
Electrical Tilt:	2° Down

MECHANICAL

Standard Finish:	White
Mass:	7.5 Kg (16.5 lbs) Approx.
Temperature:	-20° to +50°C
Wind Loading:	40.4 Kg (88.9 lbs) @ 100 mph

MOUNTING OPTIONS

Kits Available:	MK1/A
See Separate Data Sheets	

Development of this product has been partially funded by European Union FP7 programme, Project No.248267

GA: 2045-B Issued: 040912

European Antennas Limited trading as Cobham Antenna Systems, Microwave Antennas

European Antennas Limited has a policy of continuous development and stress that the information provided is a guide only and does not constitute an offer or contract or part thereof. Whilst every effort is made to ensure the accuracy of the information contained in this datasheet, no responsibility can be accepted for any errors or omissions.

The copyright of antenna designs and images is copyright protected and owned by European Antennas Limited.
©European Antennas Limited.

For further information please contact:

Cobham Antenna Systems, Microwave Antennas

Lambda House, Cheveley, Newmarket, Suffolk. CB8 9RG, UK

Tel +44 (0)1638 732177

Fax +44 (0)1638 731999

E-mail newmarket.sales@cobham.com