

FPA-0.4-2.0R/2023



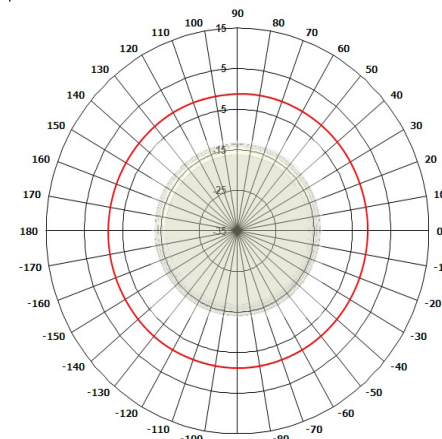
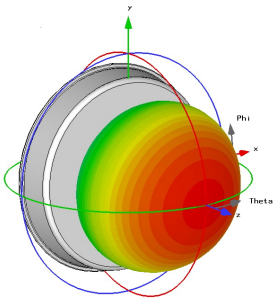
Directional Antenna

The most important thing we build is trust

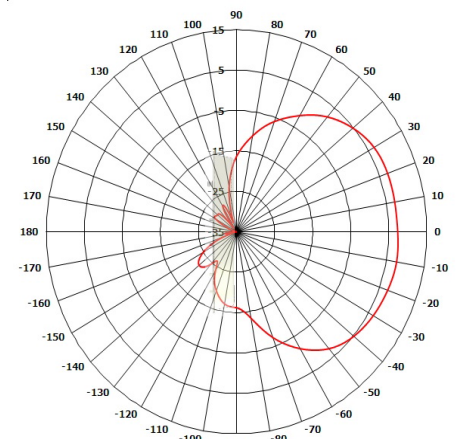
Designed for Cellular DAS Applications

Wide Band

Low Profile

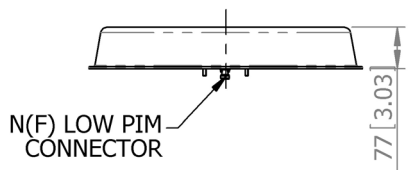


Azimuth Pattern

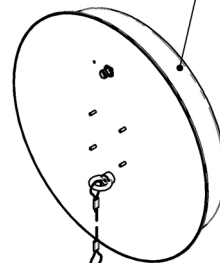


Elevation Pattern

SIDE VIEW

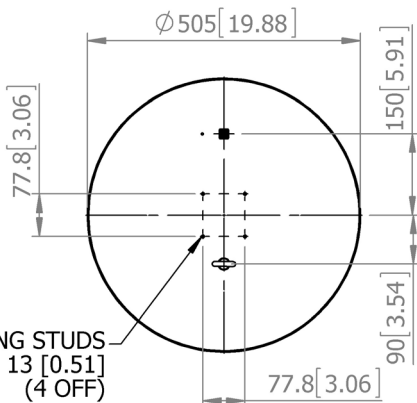


RADOME MATERIAL -
KYDEX T,
UL STANDARD 94 V-0



STAINLESS STEEL
Ø2.0mm TETHER CORD
LENGTH 1.52m [60.0].
ATTACHED TO ANTENNA
BY M6 EYE NUT.

MOUNTING STUDS
M5 x 13 [0.51]
(4 OFF)



REAR VIEW

GA: 2023

ELECTRICAL

Frequency	0.40 - 2.70 GHz
Gain	7 dBiC Nom
Polarisation	Right Hand Circular
Beamwidth	75° (Az) x 75° (El) Approx
Axial Ratio	<2 dB Typ
VSWR	2:1
Power Rating	150 W
Front to Back	>17 dB

MECHANICAL

Standard Finish	White
Mass	2.4 Kg (5.31 lbs)
Temperature	-20° to +50°C
Wind Loading	N/A

MOUNTING OPTIONS

Kits Available	MK4/B
See separate data sheets	

ADDITIONAL NOTES

Issued 190613

European Antennas Limited trading as Cobham Antenna Systems, Microwave Antennas

European Antennas Limited has a policy of continuous development and stress that the information provided is a guide only and does not constitute an offer or contract or part thereof. Whilst every effort is made to ensure the accuracy of the information contained in this brochure, no responsibility can be accepted for any errors or omissions.

The copyright of antenna designs and images is copyright protected and owned by European Antennas Limited.
©European Antennas Limited

For further information please contact:

Cobham Antenna Systems, Microwave Antennas
Lambda House, Cheveley,
Newmarket, Suffolk CB8 9RG, UK.
Tel +44 (0)1638 732 177
Fax +44 (0) 1638 731999
Email newmarket.sales@cobham.com