

OA4-2.4V/1653/LDS

COBHAM

Omni Antenna

The most important thing we build is trust

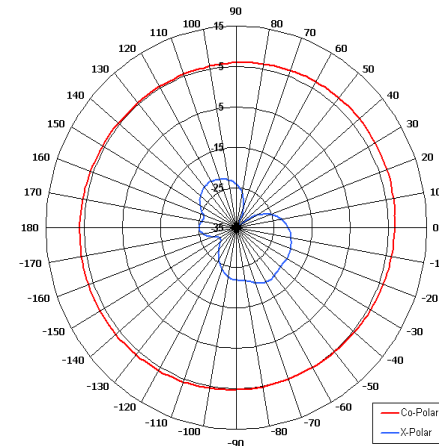
Designed for Air to Ground Telemetry Link

Suitable for Ground Based Applications

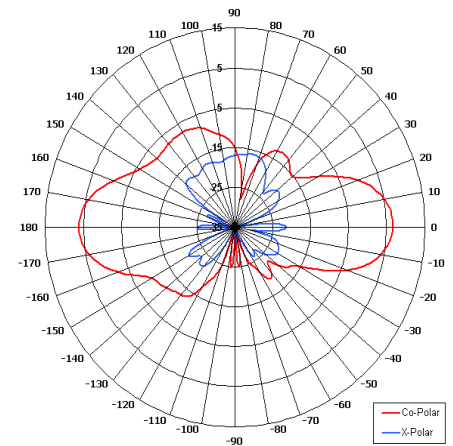
Ground Plane Independent

Rugged

Lightning Protection

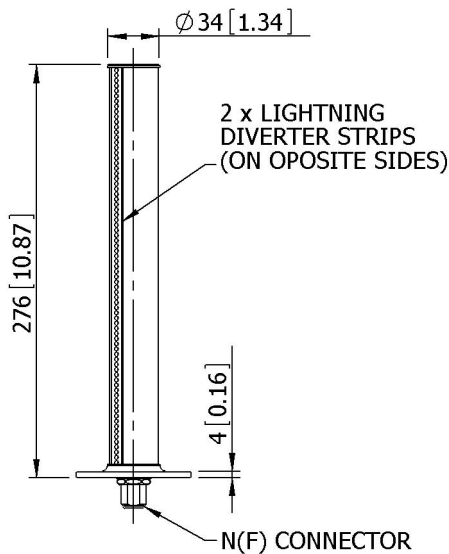


Azimuth Pattern

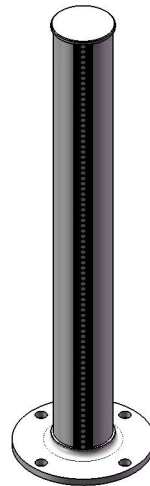
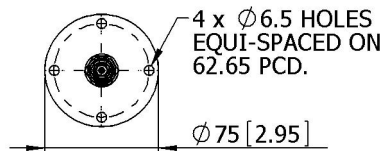


Elevation Pattern

SIDE VIEW



BASE VIEW



GA: 1653/LDS

ELECTRICAL

Frequency	2.295 - 2.555 GHz
Gain	4.3 dBi Nom
Polarisation	Linear (Vertical)
Beamwidth	360° (Az) x 40° (El) Approx
Cross Polar	>25 dB Typ
VSWR	2:1 Typ
Power Rating	50 W
Front to Back	N/A

MECHANICAL

Standard Finish	Gloss White
Mass	0.27 g (0.95 oz)
Temperature	-40° to +60°C
Wind Loading	N/A

MOUNTING OPTIONS

Kits Available	N/A
See separate data sheets	

ADDITIONAL NOTES

Issued 100810

European Antennas Limited trading as Cobham Antenna Systems, Microwave Antennas

European Antennas Limited has a policy of continuous development and stress that the information provided is a guide only and does not constitute an offer or contract or part thereof. Whilst every effort is made to ensure the accuracy of the information contained in this brochure, no responsibility can be accepted for any errors or omissions.

The copyright of antenna designs and images is copyright protected and owned by European Antennas Limited.
©European Antennas Limited

For further information please contact:

Cobham Antenna Systems, Microwave Antennas

Lambda House, Cheveley,

Newmarket, Suffolk CB8 9RG, UK.

Tel +44 (0)1638 732 177

Fax +44 (0) 1638 731999

Email newmarket.sales@cobham.com