

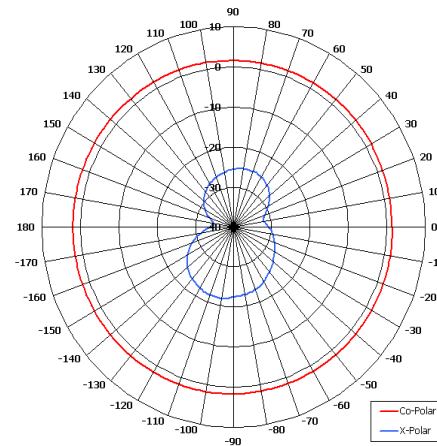
SVD2-1.5V/1657

COBHAM

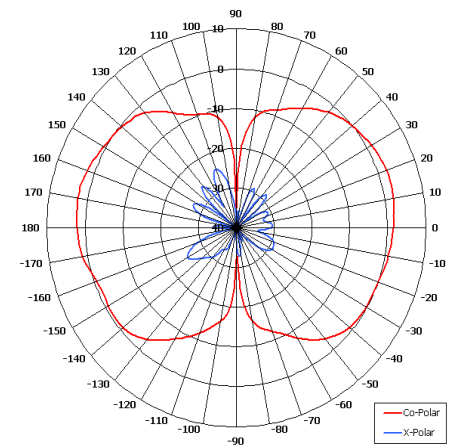
Dipole Antenna

The most important thing we build is trust

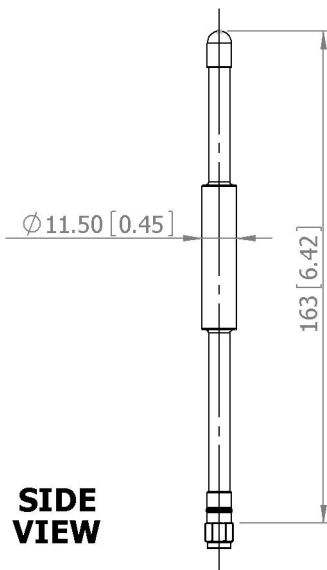
- Pattern Omni Directional
- Designed for Security Applications
- Lightweight
- Suitable for Outdoor Applications
- Compact



Azimuth Pattern



Elevation Pattern



SIDE VIEW

BASE VIEW



SMA(M) CONNECTOR

GA: 1657

ELECTRICAL

Frequency	1.431 - 1.521 GHz
Gain	2 dBi Nom
Polarisation	Linear (vertical)
Beamwidth	360° (Az) x 80° (El) Approx
Cross Polar	20 dB
VSWR	2:1 Typ
Power Rating	10W
Front to Back	N/A
Electrical Tilt	N/A

MECHANICAL

Standard Finish	Matt Black
Mass	19g (0.66 oz)
Temperature	-20° to +50°C
Wind Loading	28 g(0.96 ozs) at 100mph

MOUNTING OPTIONS

Kits Available	N/A
----------------	-----

See separate data sheets

ADDITIONAL NOTES

Issued 060810

European Antennas Limited trading as Cobham Antenna Systems, Microwave Antennas

European Antennas Limited has a policy of continuous development and stress that the information provided is a guide only and does not constitute an offer or contract or part thereof. Whilst every effort is made to ensure the accuracy of the information contained in this brochure, no responsibility can be accepted for any errors or omissions.

The copyright of antenna designs and images is copyright protected and owned by European Antennas Limited.
©European Antennas Limited

For further information please contact:

Cobham Antenna Systems, Microwave Antennas
Lambda House, Cheveley,
Newmarket, Suffolk CB8 9RG, UK.
Tel +44 (0)1638 732 177
Fax +44 (0) 1638 731999
Email antennasystems.ma@cobham.com