

FPA14-1.4V/1450

COBHAM

Directional Antenna

The most important thing we build is trust

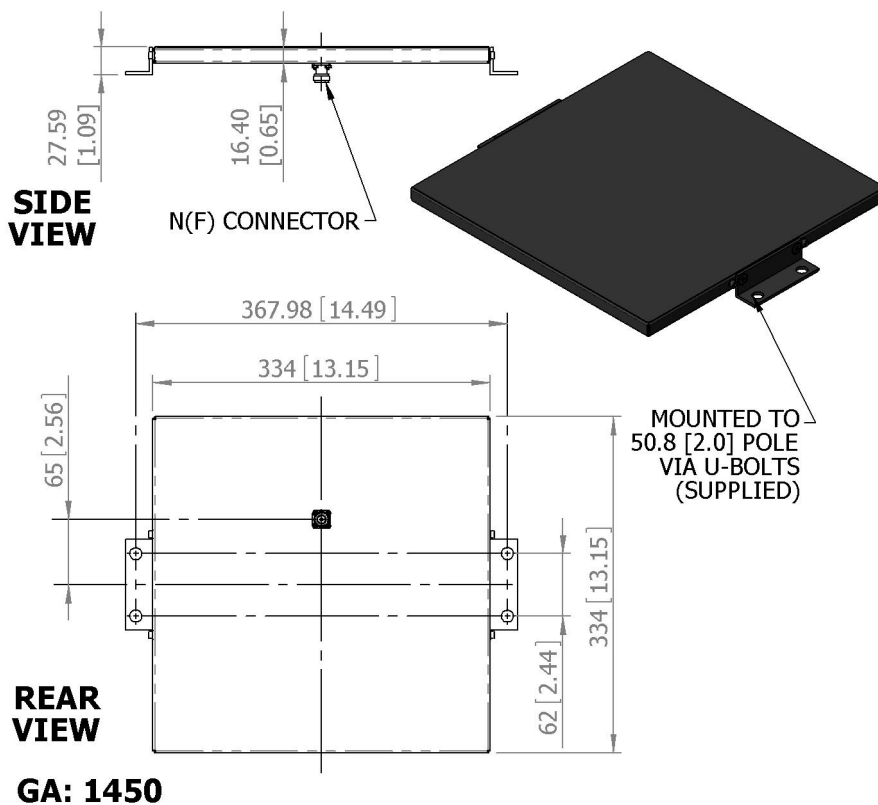
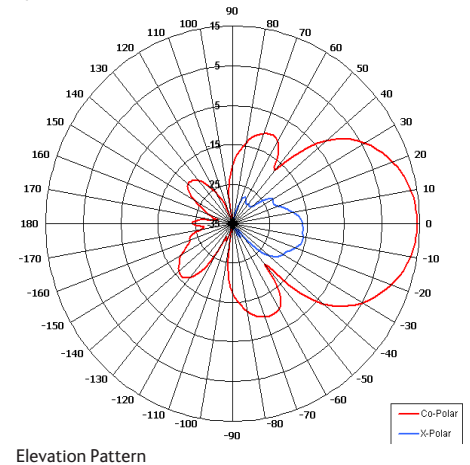
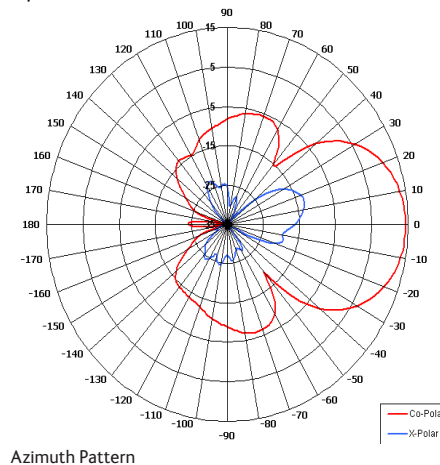
Designed for Commercial Applications

Suitable for Multiple Applications

Pattern - Directional

Vertical Polarisation

Rugged



ELECTRICAL

Frequency	1.30 - 1.47 GHz
Gain	14 dBi Nom
Polarisation	Linear (Vertical)
Beamwidth	40° (Az) x 35° (El) Approx
Cross Polar	20 dB Min
VSWR	2:1 Max
Power Rating	100 W
Front to Back	20 dB Min

MECHANICAL

Standard Finish	Matt Black
Mass	1.0 Kg (2.2 lbs)
Temperature	-40° to +50°C
Wind Loading	18.1 Kg (39.8 lbs) @ 100mph

MOUNTING OPTIONS

Kits Available	U Bolts Supplied
See separate data sheets	

ADDITIONAL NOTES

Issued 021212

European Antennas Limited trading as Cobham Antenna Systems, Microwave Antennas

European Antennas Limited has a policy of continuous development and stress that the information provided is a guide only and does not constitute an offer or contract or part thereof. Whilst every effort is made to ensure the accuracy of the information contained in this brochure, no responsibility can be accepted for any errors or omissions.

The copyright of antenna designs and images is copyright protected and owned by European Antennas Limited.
©European Antennas Limited

For further information please contact:

Cobham Antenna Systems, Microwave Antennas

Lambda House, Cheveley,

Newmarket, Suffolk CB8 9RG, UK.

Tel +44 (0)1638 732 177

Fax +44 (0) 1638 731999

Email newmarket.sales@cobham.com