

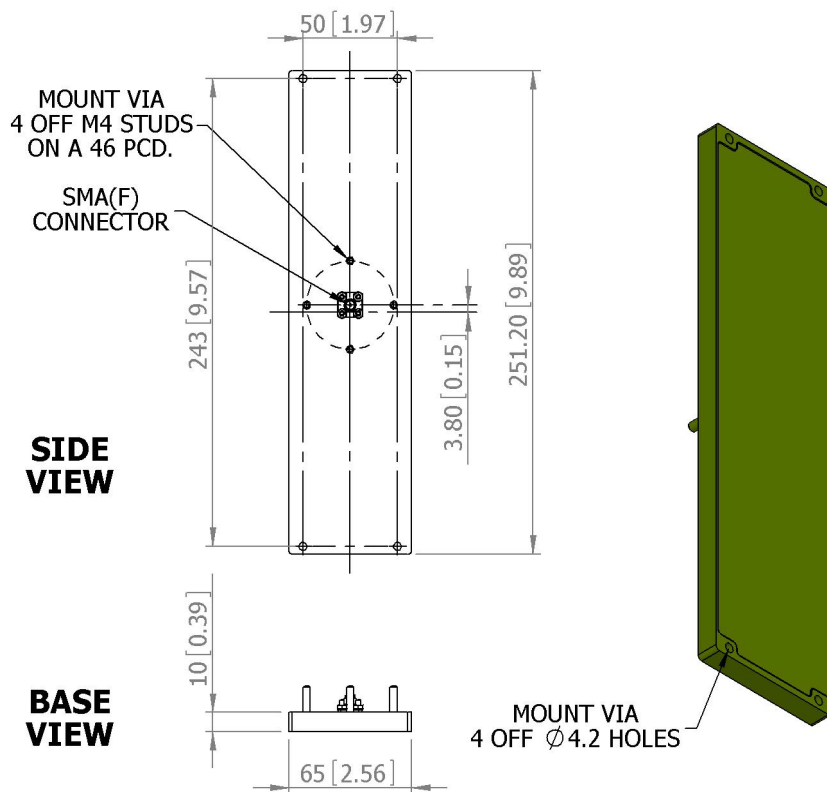
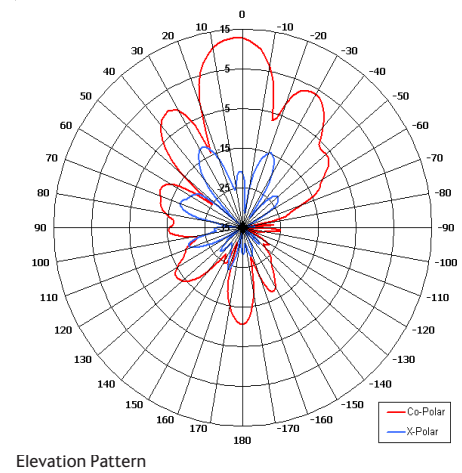
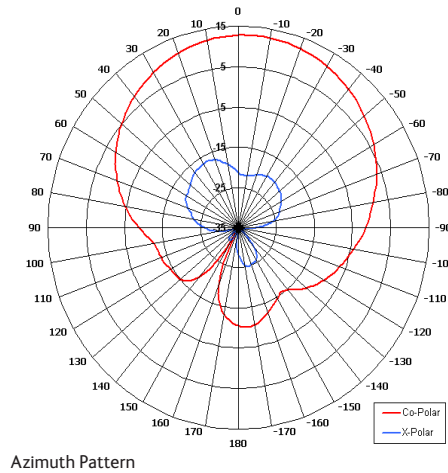
SA13-60-3.4H/1466

COBHAM

Sector Antenna

The most important thing we build is trust

- Designed for Tactical Comms Applications
- Suitable for Multiple Applications
- Horizontal Polarisation
- Suitable for Ground Based Applications
- Rugged
- Lightweight



GA: 1466

ELECTRICAL

Frequency	3.30 - 3.50 GHz
Gain	13.0 dBi Typ
Polarisation	Linear (Horizontal)
Beamwidth	70° (Az) x 18° (El) Approx
Cross Polar	>15 dB Typ
VSWR	1.5:1
Power Rating	50 W
Front to Back	>20 dB

MECHANICAL

Standard Finish	Military Green
Mass	235g (0.52 lbs)
Temperature	-40° to +60°C
Wind Loading	2.6 Kg(5.8lbs) @ 100mph

MOUNTING OPTIONS

Kits Available	N/A
See separate data sheets	

ADDITIONAL NOTES

Issued 200810

European Antennas Limited trading as Cobham Antenna Systems, Microwave Antennas

European Antennas Limited has a policy of continuous development and stress that the information provided is a guide only and does not constitute an offer or contract or part thereof. Whilst every effort is made to ensure the accuracy of the information contained in this brochure, no responsibility can be accepted for any errors or omissions.

The copyright of antenna designs and images is copyright protected and owned by European Antennas Limited.
©European Antennas Limited

For further information please contact:

Cobham Antenna Systems, Microwave Antennas
 Lambda House, Cheveley,
 Newmarket, Suffolk CB8 9RG, UK.
 Tel +44 (0)1638 732 177
 Fax +44 (0) 1638 731999
 Email newmarket.sales@cobham.com