

FPA7-1.6V/1510



Directional Antenna

The most important thing we build is trust

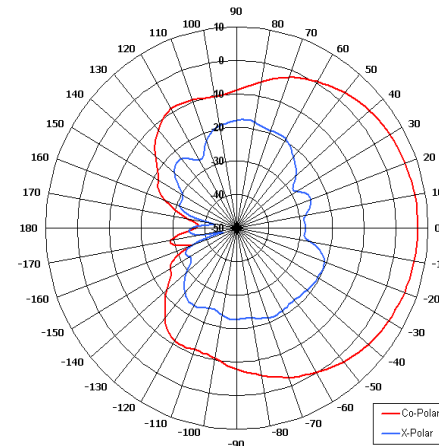
Designed for Ground Based Satcomms

Compact

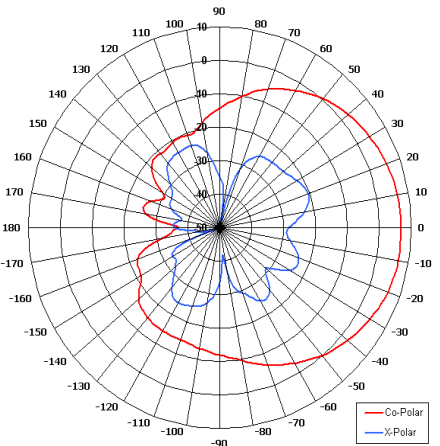
Rugged

Low Profile

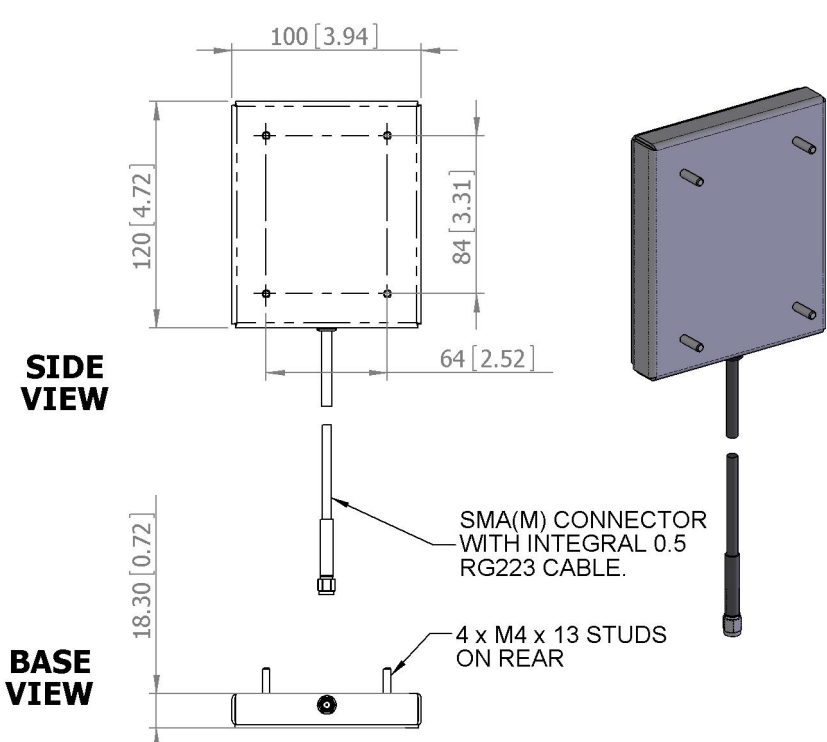
Integrated Cable Options



Azimuth Pattern



Elevation Pattern



GA: 1510

ELECTRICAL

Frequency	1525.0 - 1660.5 MHz
Gain	6.4dBi Nom
Polarisation	Linear (Vertical)
Beamwidth	Approx 84° (Az) x Approx 65° (El)
Cross Polar	>20 dB Typ
VSWR	<2:1
Power Rating	25W
Front to Back	>20 dB

MECHANICAL

Standard Finish	Gloss Grey semi spatter RAL 7001
Mass	200g/0.44 lbs
Temperature	-31° to +49°C
Wind Loading	1.95 kg/4.28 lbs @ 100mph

MOUNTING OPTIONS

Kits Available	N/A
See separate data sheets	

ADDITIONAL NOTES

Issued 190310

European Antennas Limited trading as Cobham Antenna Systems, Microwave Antennas

European Antennas Limited has a policy of continuous development and stress that the information provided is a guide only and does not constitute an offer or contract or part thereof. Whilst every effort is made to ensure the accuracy of the information contained in this brochure, no responsibility can be accepted for any errors or omissions.

The copyright of antenna designs and images is copyright protected and owned by European Antennas Limited.
©European Antennas Limited

For further information please contact:

Cobham Antenna Systems, Microwave Antennas
 Lambda House, Cheveley,
 Newmarket, Suffolk CB8 9RG, UK.
 Tel +44 (0)1638 732 177
 Fax +44 (0) 1638 731999
 Email newmarket.sales@cobham.com