

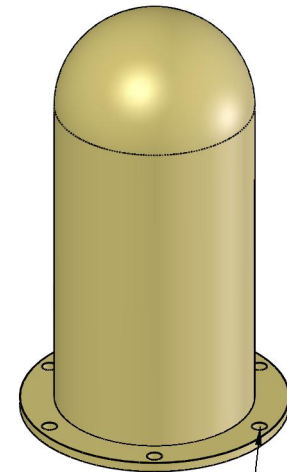
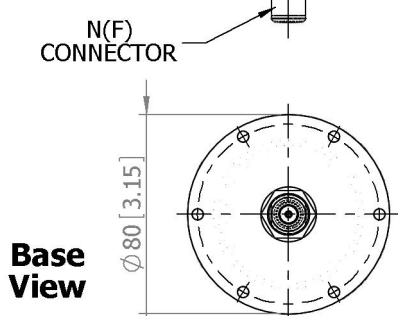
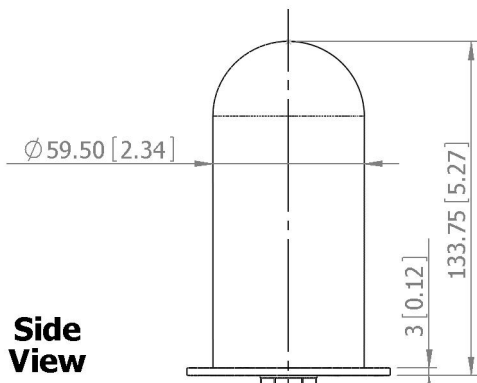
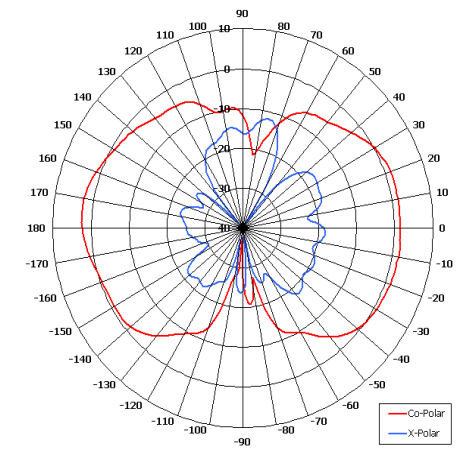
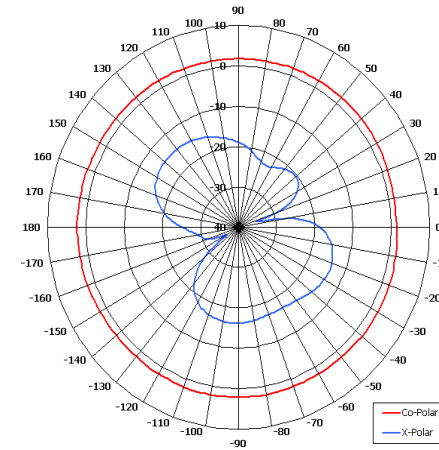
XPO2V-1.0-6.0/1512

COBHAM

Omni Antenna

The most important thing we build is trust

- Suitable for Mobile Applications
- Designed for Security Applications
- Low Azimuth Ripple
- Lightweight Design
- ETSI Class



MOUNTED VIA 6 OFF
 $\varnothing 4.50$ [0.17] HOLES
 EQUI-SPACED ON
 72.0 [2.83] PCD.

GA: 1512

ELECTRICAL

Frequency	1.00 - 6.00 GHz
Gain	2 dBi Nom
Polarisation	Linear (Vertical)
Beamwidth	360° (Az) x 70° (El) Approx
Cross Polar	15 dB Typ
VSWR	3:1 Max, 2:1 Typ
Power Rating	100W
Front to Back	N/A

MECHANICAL

Standard Finish	Desert Tan (EA 5941)
Mass	190g (6.7 oz) Approx
Temperature	-40° to +70°C
Wind Loading	1.29 Kg (2.83lbs) @ 100mph

MOUNTING OPTIONS

Kits Available	N/A
See separate data sheets	

ADDITIONAL NOTES

Issued 290410

European Antennas Limited trading as Cobham Antenna Systems, Microwave Antennas
 European Antennas Limited has a policy of continuous development and stress that the information provided is a guide only and does not constitute an offer or contract or part thereof. Whilst every effort is made to ensure the accuracy of the information contained in this brochure, no responsibility can be accepted for any errors or omissions.

The copyright of antenna designs and images is copyright protected and owned by European Antennas Limited.
 ©European Antennas Limited

For further information please contact:
 Cobham Antenna Systems, Microwave Antennas
 Lambda House, Cheveley,
 Newmarket, Suffolk CB8 9RG, UK.
 Tel +44 (0)1638 732 177
 Fax +44 (0) 1638 731999
 Email newmarket.sales@cobham.com