

# FVD2-2.3/1550

**COBHAM**

## Dipole Antenna

The most important thing we build is trust

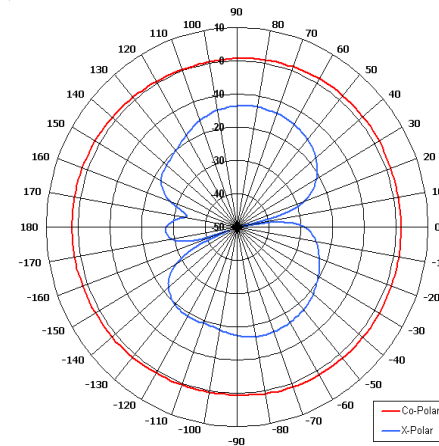
Designed For Tactical Comms Applications

Wide Band

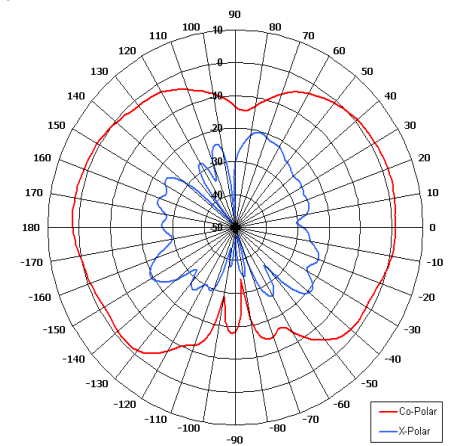
Pattern - Omni Directional

Rugged

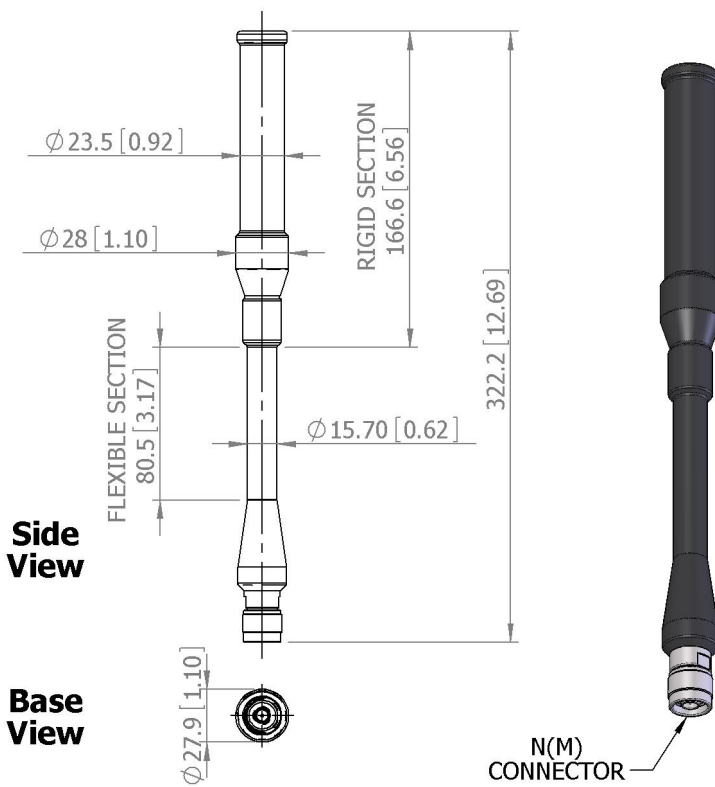
Suitable For Manpack Applications



Azimuth Pattern



Elevation Pattern



**Side View**

**Base View**

**GA: 1550**

### ELECTRICAL

Frequency	1.80 - 3.60 GHz
Gain	2 dBi Nom
Polarisation	Linear (Vertical)
Beamwidth	360° (Az) x 65° (El) Typ
VSWR	2:1 Max
Power Rating	25W
Front to Back	N/A

### MECHANICAL

Standard Finish	Matt Black
Mass	260g/0.57lbs Approx
Temperature	-20° to +50° C
Wind Loading	N/A

### MOUNTING OPTIONS

Kits Available	N/A
----------------	-----

See separate data sheets

### ADDITIONAL NOTES

Issued 110310

European Antennas Limited trading as Cobham Antenna Systems, Microwave Antennas

European Antennas Limited has a policy of continuous development and stress that the information provided is a guide only and does not constitute an offer or contract or part thereof. Whilst every effort is made to ensure the accuracy of the information contained in this brochure, no responsibility can be accepted for any errors or omissions.

The copyright of antenna designs and images is copyright protected and owned by European Antennas Limited.  
©European Antennas Limited

For further information please contact:

Cobham Antenna Systems, Microwave Antennas

Lambda House, Cheveley,

Newmarket, Suffolk CB8 9RG, UK.

Tel +44 (0)1638 732 177

Fax +44 (0) 1638 731999

Email [newmarket.sales@cobham.com](mailto:newmarket.sales@cobham.com)