

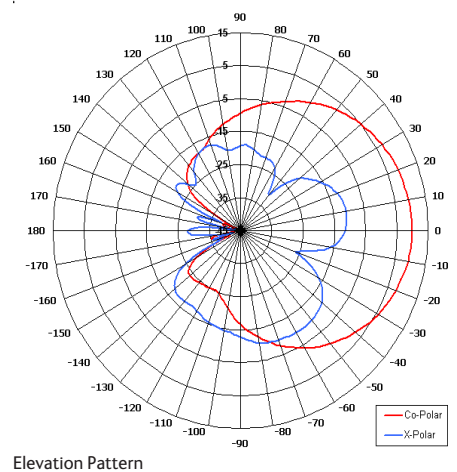
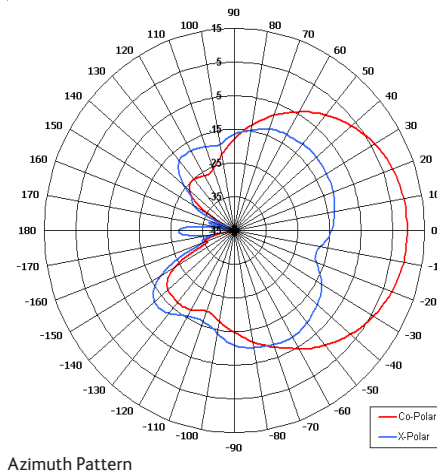
FPA10-4.7R/1564

COBHAM

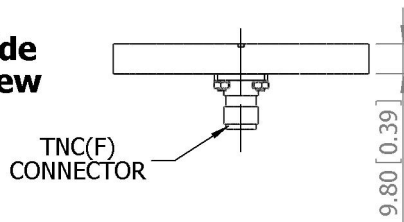
Flat Panel Antenna

The most important thing we build is trust

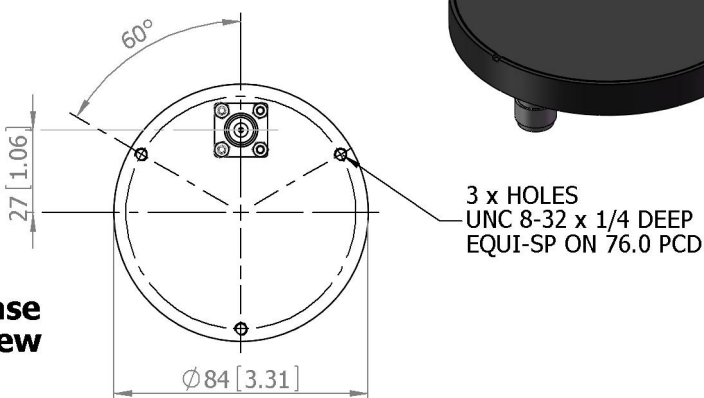
- Designed for Security Applications
- Suitable for Telemetry Applications
- Right Hand Circular Polarised
- Pattern - Directional
- Compact
- Lightweight



Side View



Base View



GA: 1564

ELECTRICAL

Frequency	4.40 - 5.00 GHz
Gain	9.5 dBiC Nom
Polarisation	Right Hand Circular
Beamwidth	54° (Az) x 58° (El) Approx
Axial Ratio	3 dB Typ
VSWR	<1.5:1 Typ
Power Rating	20W
Front to Back	30 dB Nom

MECHANICAL

Standard Finish	Matt Black
Mass	100g / 3.5 oz
Temperature	-40° to +60°C
Wind Loading	N/A

MOUNTING OPTIONS

Kits Available	N/A
See separate data sheets	

ADDITIONAL NOTES

Issued 180310

European Antennas Limited trading as Cobham Antenna Systems, Microwave Antennas

European Antennas Limited has a policy of continuous development and stress that the information provided is a guide only and does not constitute an offer or contract or part thereof. Whilst every effort is made to ensure the accuracy of the information contained in this brochure, no responsibility can be accepted for any errors or omissions.

The copyright of antenna designs and images is copyright protected and owned by European Antennas Limited.
©European Antennas Limited

For further information please contact:

Cobham Antenna Systems, Microwave Antennas
Lambda House, Cheveley,
Newmarket, Suffolk CB8 9RG, UK.
Tel +44 (0)1638 732 177
Fax +44 (0) 1638 731999
Email newmarket.sales@cobham.com