

# SA9-120-1.3V/1560

**COBHAM**

## Sector Antenna

The most important thing we build is trust

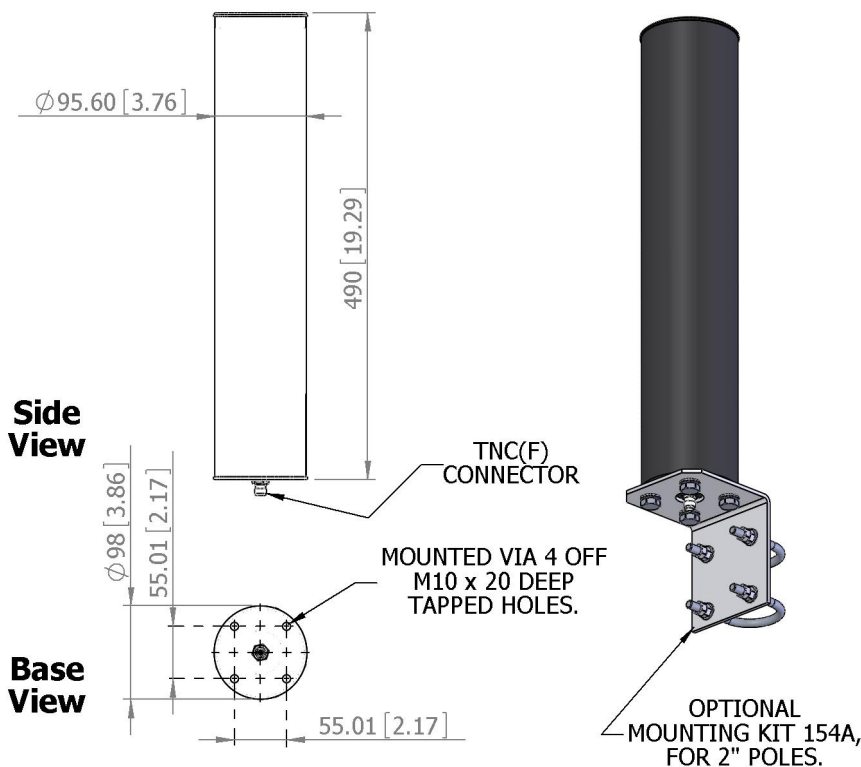
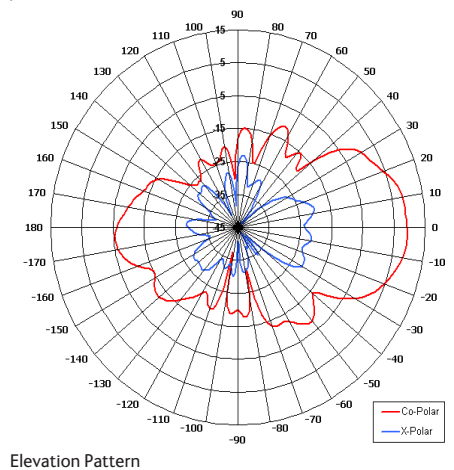
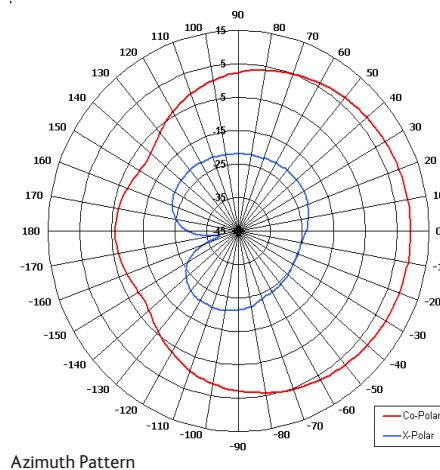
Designed for COFDM Applications

Wide Band

Suitable for UGV Datalink Applications

Low Profile

Suitable for Ground Based Applications



**GA: 1560**

### ELECTRICAL

Frequency	1.15 - 1.45 GHz
Gain	9dBi Nom
Polarisation	Linear (Vertical)
Beamwidth	120° (Az) x 36° El Approx
Cross Polar	>20 dB Typ
VSWR	2:1 Max. 1.5:1 Typ
Power Rating	50W
Front to Back	>14dB

### MECHANICAL

Standard Finish	Matt Black
Mass	1.3Kg/3.52 lbs Excel. MK
Temperature	-40° to +60°C
Wind Loading	7.6kg/16.7lbs @ 100mph

### MOUNTING OPTIONS

Kits Available	MK 154A
See separate data sheets	

### ADDITIONAL NOTES

Issued 260310

European Antennas Limited trading as Cobham Antenna Systems, Microwave Antennas

European Antennas Limited has a policy of continuous development and stress that the information provided is a guide only and does not constitute an offer or contract or part thereof. Whilst every effort is made to ensure the accuracy of the information contained in this brochure, no responsibility can be accepted for any errors or omissions.

The copyright of antenna designs and images is copyright protected and owned by European Antennas Limited.  
©European Antennas Limited

For further information please contact:

Cobham Antenna Systems, Microwave Antennas  
Lambda House, Cheveley,  
Newmarket, Suffolk CB8 9RG, UK.  
Tel +44 (0)1638 732 177  
Fax +44 (0) 1638 731999  
Email newmarket.sales@cobham.com