

# FPA24-4.7R/1509



## Directional Antenna

The most important thing we build is trust

Designed for Military Applications

High Gain

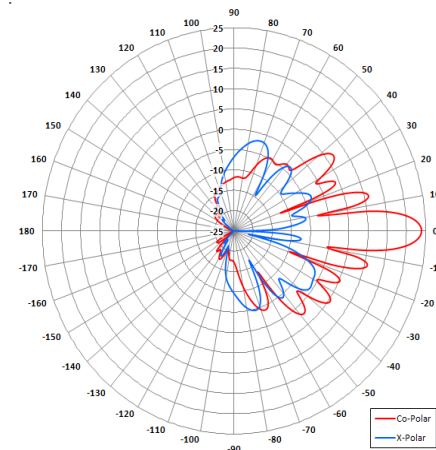
C-Band Frequency

Right Hand Circular Polarised

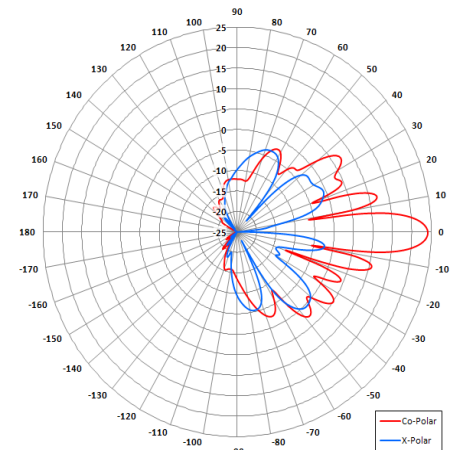
Low Profile

Rugged

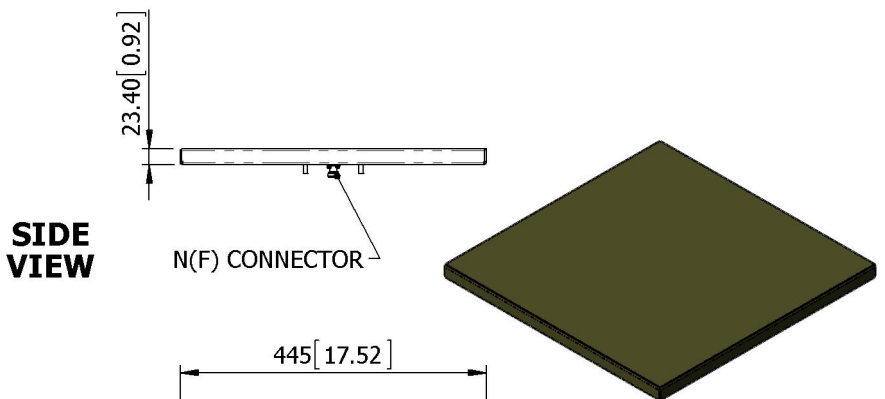
Mounting Options



Azimuth Pattern

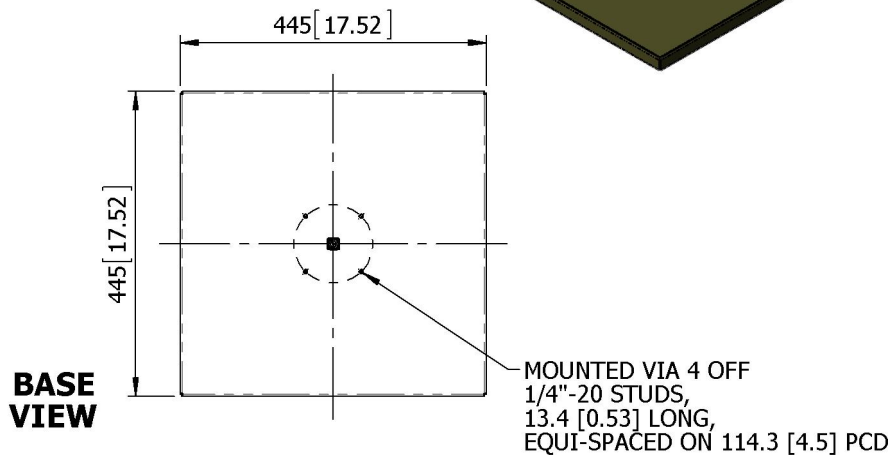


Elevation Pattern



**SIDE VIEW**

N(F) CONNECTOR



**BASE VIEW**

MOUNTED VIA 4 OFF  
1/4"-20 STUDS,  
13.4 [0.53] LONG,  
EQUI-SPACED ON 114.3 [4.5] PCD

**GA: 1509**

### ELECTRICAL

Frequency	4.40 - 5.00 GHz
Gain	24.3 dBIC Typ
Polarisation	Right Hand Circular
Beamwidth	8° (Az) x 8° (El) Approx
Axial Ratio	<2 dB Typ
VSWR	1.5:1
Power Rating	25 W
Front to Back	40 dB

### MECHANICAL

Standard Finish	RAL 7034
Mass	2.0 Kg (4.4 lbs)
Temperature	-40° to +50°C
Wind Loading	32 Kg (71 lbs) @ 100mph

### MOUNTING OPTIONS

Kits Available	N/A
See separate data sheets	

### ADDITIONAL NOTES

Issued 010711

European Antennas Limited trading as Cobham Antenna Systems, Microwave Antennas

European Antennas Limited has a policy of continuous development and stress that the information provided is a guide only and does not constitute an offer or contract or part thereof. Whilst every effort is made to ensure the accuracy of the information contained in this brochure, no responsibility can be accepted for any errors or omissions.

The copyright of antenna designs and images is copyright protected and owned by European Antennas Limited.  
©European Antennas Limited

For further information please contact:

Cobham Antenna Systems, Microwave Antennas  
Lambda House, Cheveley,  
Newmarket, Suffolk CB8 9RG, UK.  
Tel +44 (0)1638 732 177  
Fax +44 (0) 1638 731999  
Email newmarket.sales@cobham.com