

HOA3-1.5RL/1436

COBHAM

Hemi Omni Antenna

The most important thing we build is trust

Designed for Satellite Application

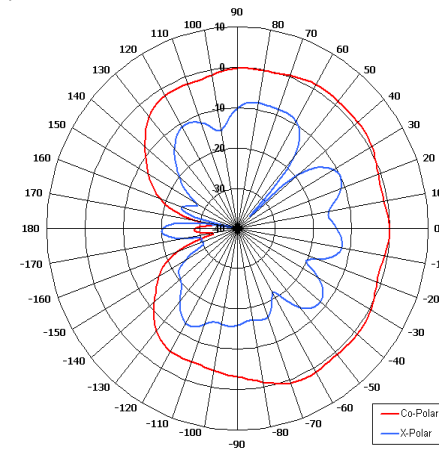
Dual Circular Polarisation

Pattern - Hemi Omni

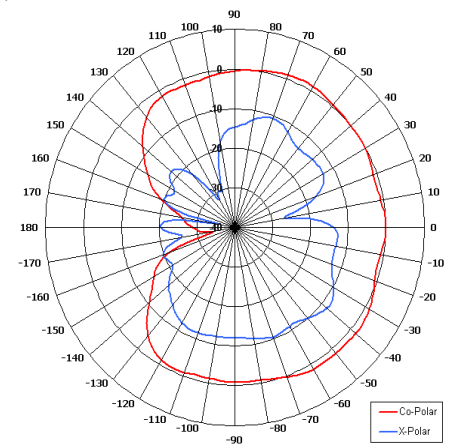
Designed for Mobile Sat Comms

Rugged

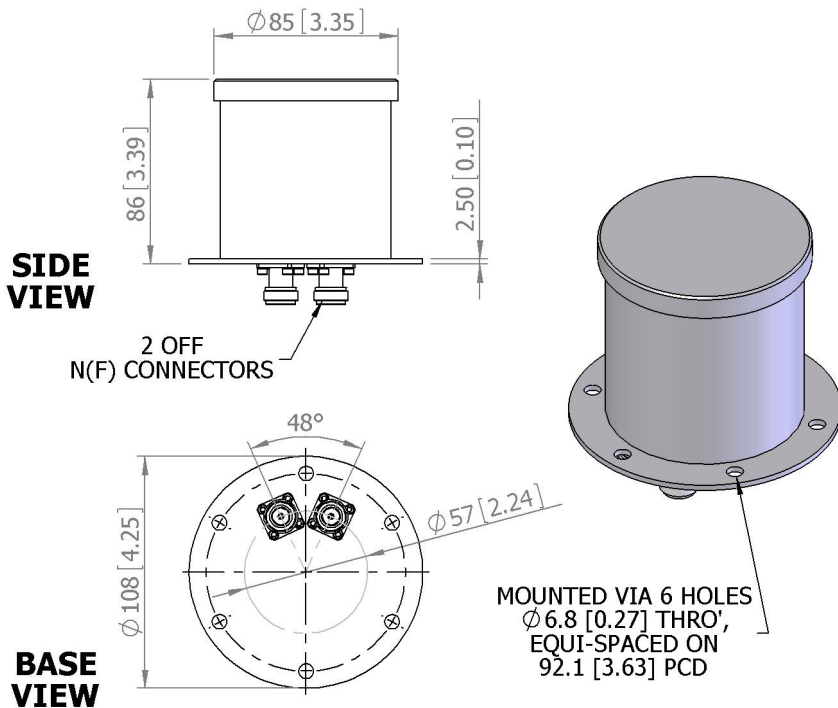
Colour Options



Azimuth Pattern



Elevation Pattern



SIDE VIEW

2 OFF N(F) CONNECTORS

BASE VIEW

MOUNTED VIA 6 HOLES
Ø 6.8 [0.27] THRO',
EQUI-SPACED ON
92.1 [3.63] PCD

ELECTRICAL

Frequency	1.52 - 1.56 GHz
Gain	2.5 dBiC
Polarisation	Left & Right Hand Circular
Beamwidth	160° (Az) x 180° (El) Typ
Axial Ratio	3 dB Typical
VSWR	1.5:1
Power Rating	10W
Front to Back	>15 dB Typical

MECHANICAL

Standard Finish	RAL 7001 Light Grey
Mass	0.7 Kg (1.54 lbs) Approx
Temperature	-40° to +65°C
Wind Loading	1.2 Kg(2.7lbs) @ 100mph

MOUNTING OPTIONS

Kits Available	N/A
See separate data sheets	

ADDITIONAL NOTES

GA: 1436

Issued 090910

European Antennas Limited trading as Cobham Antenna Systems, Microwave Antennas

European Antennas Limited has a policy of continuous development and stress that the information provided is a guide only and does not constitute an offer or contract or part thereof. Whilst every effort is made to ensure the accuracy of the information contained in this brochure, no responsibility can be accepted for any errors or omissions.

The copyright of antenna designs and images is copyright protected and owned by European Antennas Limited.
©European Antennas Limited

For further information please contact:

Cobham Antenna Systems, Microwave Antennas

Lambda House, Cheveley,

Newmarket, Suffolk CB8 9RG, UK.

Tel +44 (0)1638 732 177

Fax +44 (0) 1638 731999

Email newmarket.sales@cobham.com