

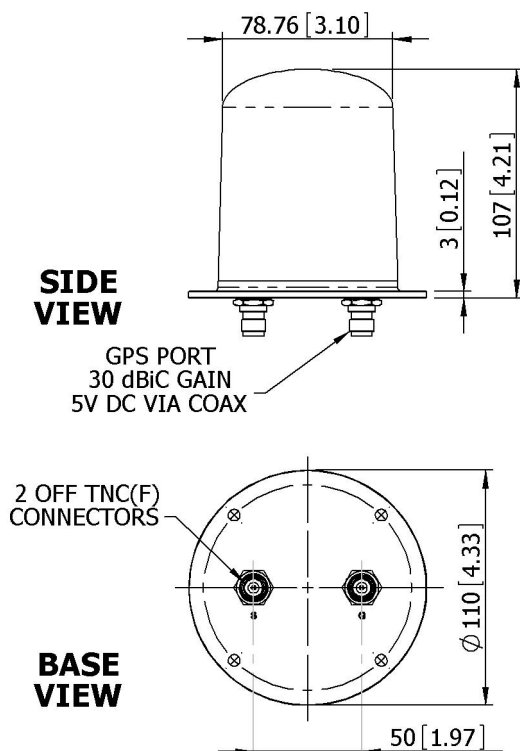
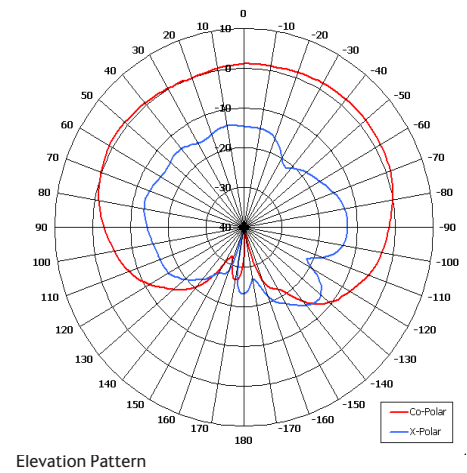
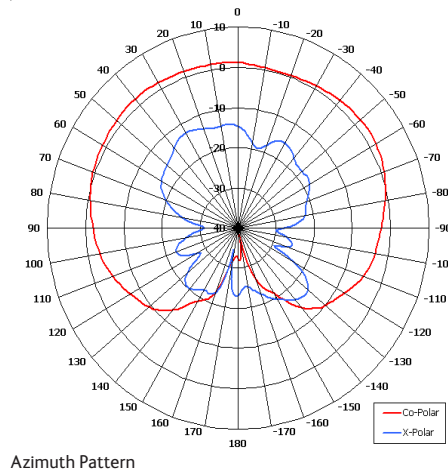
HOA2-159L-GPS/1486

COBHAM

Hemi Omni Satellite Antenna

The most important thing we build is trust

- Designed for Satellite Application
- Designed for Thuraya Satellite Network
- Designed for Mobile Satcomms
- Integrated Active GPS Antenna
- Side Mount Connector Options



GA: 1486

ELECTRICAL

Frequency	1.525 - 1.6605 GHz
Gain	2.4 dBiC Nom
Polarisation	Left Hand Circular
Beamwidth	360° (Az) x 163° (El) Approx
Axial Ratio	2.5 dB Typ
VSWR	2:1 Typ
Power Rating	20 W
Front to Back	N/A

MECHANICAL

Standard Finish	Alocrom Base, White Plastic Radome
Mass	220g (0.49 lbs)
Temperature	-40° to +70° C
Wind Loading	1.34 Kg(2.96lbs) @ 100mph

MOUNTING OPTIONS

Kits Available	155A
See separate data sheets	

ADDITIONAL NOTES

Issued 260210

European Antennas Limited trading as Cobham Antenna Systems, Microwave Antennas

European Antennas Limited has a policy of continuous development and stress that the information provided is a guide only and does not constitute an offer or contract or part thereof. Whilst every effort is made to ensure the accuracy of the information contained in this brochure, no responsibility can be accepted for any errors or omissions.

The copyright of antenna designs and images is copyright protected and owned by European Antennas Limited.
©European Antennas Limited

For further information please contact:

Cobham Antenna Systems, Microwave Antennas
Lambda House, Cheveley,
Newmarket, Suffolk CB8 9RG, UK.
Tel +44 (0)1638 732 177
Fax +44 (0) 1638 731999
Email antennasystems.ma@cobham.com