

# DIPOLE ANTENNA FVD2-2.8/1528



## ELECTRICAL

<b>FREQUENCY:</b>	2.70 - 2.90 GHz
<b>GAIN:</b>	2 dBi Nominal
<b>POLARISATION:</b>	Linear (Vertical)
<b>BEAMWIDTH:</b>	360° (Az) x 80° (El)
<b>AXIAL RATIO:</b>	25 dB Typical
<b>VSWR:</b>	2:1
<b>POWER RATING:</b>	25 W
<b>FRONT TO BACK:</b>	N/A

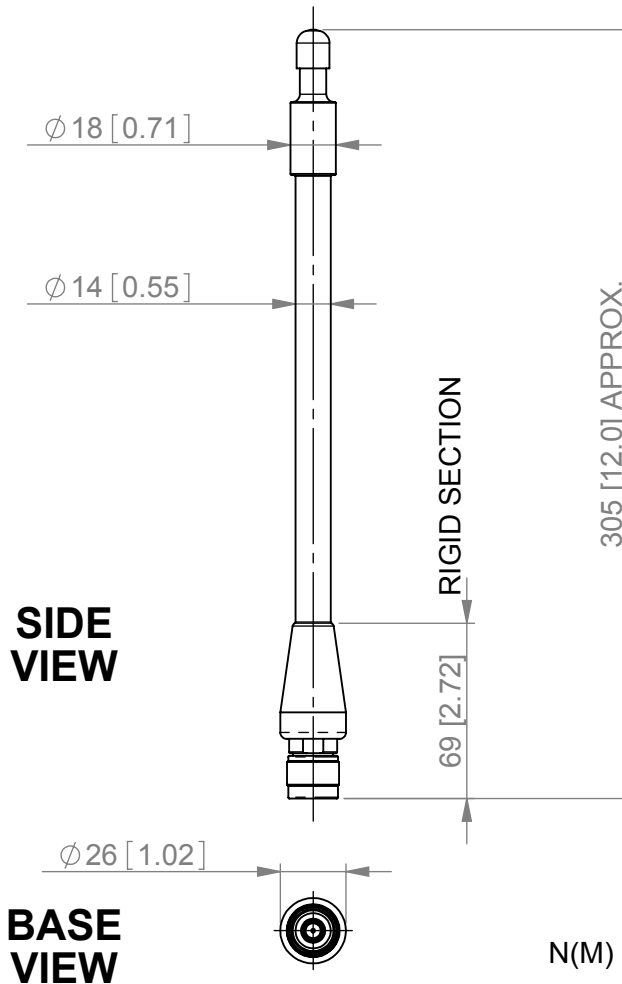
## MECHANICAL

<b>STANDARD FINISH:</b>	Matt Black
<b>MASS:</b>	140 g / 0.31 lbs Approx.
<b>TEMPERATURE:</b>	-20° to +50°C
<b>WIND LOADING:</b>	N/A

## MOUNTING OPTIONS

<b>KITS AVAILABLE:</b>	N/A
See Separate Data Sheets	

GA: 1528-1      Issued: 210508  
 DIMENSIONS: mm [inches]      M



FVD2-2.8/1528

European Antennas Ltd. has a policy of continuous development and therefore stress that the data contained on this sheet should be used for guidance only.

European Antennas Ltd. is part of the Cobham Antennas Division



Certificate No 9268

European Antennas Ltd  
 Lambda House, Cheveley  
 Newmarket, Suffolk, CB8 9RG, UK  
 Tel: +44 (0)1638 731888  
[sales@european-antennas.co.uk](mailto:sales@european-antennas.co.uk)  
[www.european-antennas.co.uk](http://www.european-antennas.co.uk)