

THURAYA PASSIVE VEHICLE ANTENNA (HIGH ELEVATION) LPA7-1.6L/1405



ELECTRICAL

FREQUENCY:	1.52 - 1.66 GHz
GAIN:	6.3 dBiC Typical
POLARISATION:	Left Hand Circular
BEAMWIDTH:	71.6° (Az) x 72.5° (El) Approx
AXIAL RATIO:	3 dB Typical
VSWR:	<1.5:1
POWER RATING:	20 W
FRONT TO BACK:	>20 dB

MECHANICAL

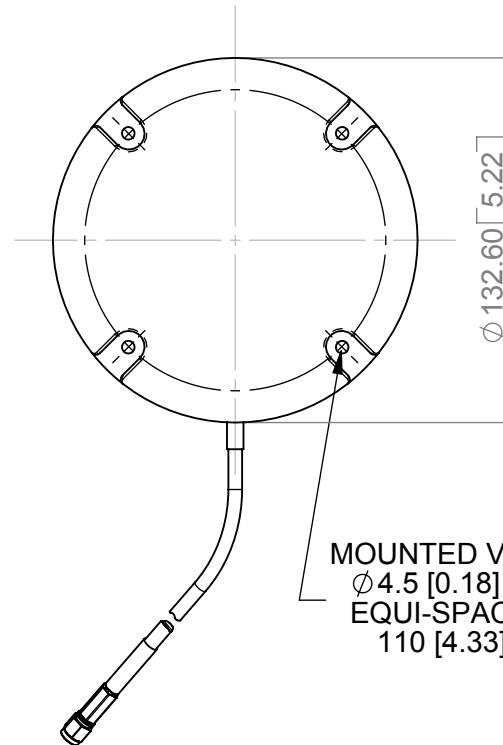
STANDARD FINISH:	White
MASS:	300 g / 0.66 lbs Approx
TEMPERATURE:	-40° to +70°C
WIND LOADING:	0.47 Kg / 1.03 lbs @ 100 mph (side on)

MOUNTING OPTIONS

KITS AVAILABLE: N/A

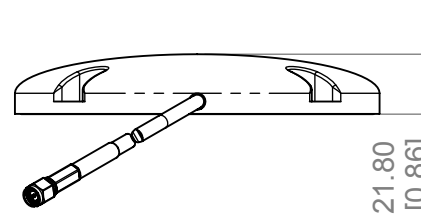
GA: 1405-2 Issued: 270707
DIMENSIONS: mm [inches] H

TOP VIEW

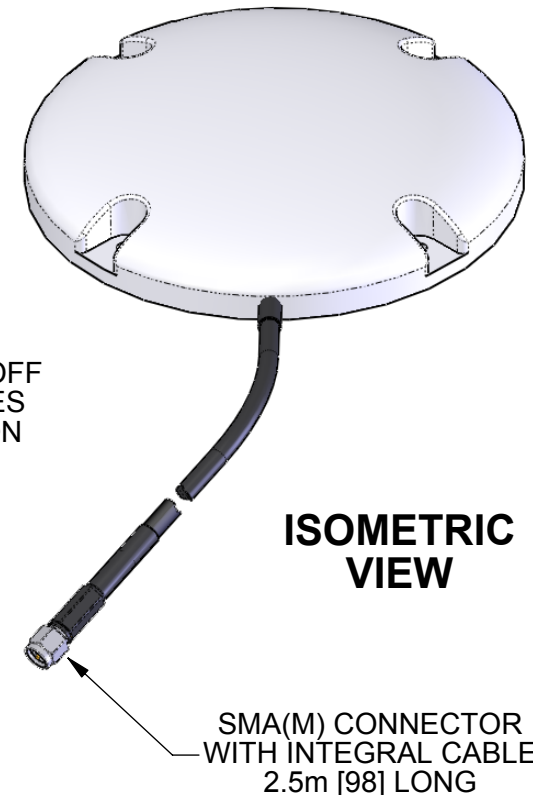


MOUNTED VIA 4 OFF
Ø4.5 [0.18] HOLES
EQUI-SPACED ON
110 [4.33] PCD

SIDE VIEW



ISOMETRIC VIEW



LPA7-1.6L/1405

European Antennas Ltd. has a policy of continuous development and therefore stress that the data contained on this sheet should be used for guidance only.

European Antennas Ltd. is part of the Cobham Antennas Division



Certificate No 9268

European Antennas Ltd
Lambda House, Cheveley
Newmarket, Suffolk, CB8 9RG, UK
Tel: +44 (0)1638 731888
sales@european-antennas.co.uk
www.european-antennas.co.uk