

OMNI ANTENNA

LCO5-3450-M01/1434



ELECTRICAL

FREQUENCY:	3.35 - 3.55 GHz
GAIN:	4 dBiC Nominal
POLARISATION:	Left Hand Circular
BEAMWIDTH:	360° (Az) x 40° (El) Approx.
AXIAL RATIO:	3 dB Typical
VSWR:	1.5:1, 2:1 Maximum
POWER RATING:	10 W
FRONT TO BACK:	N/A
STANDARD FINISH:	Gloss White

MECHANICAL

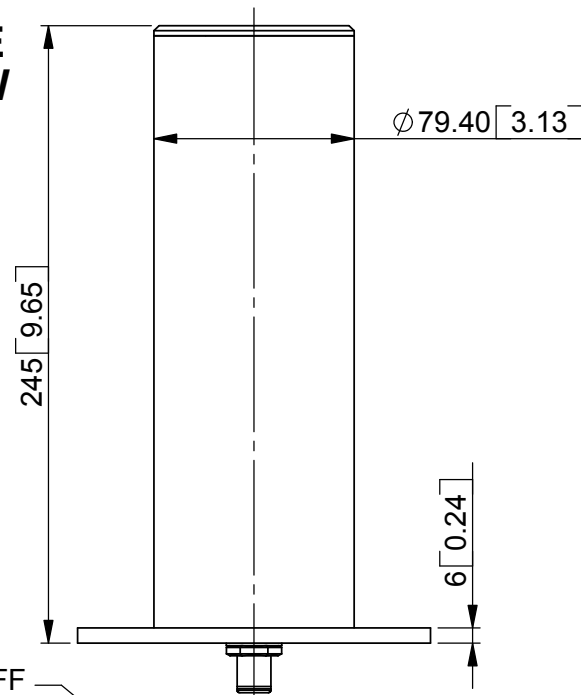
MASS:	600 g / 1.32 lbs
TEMPERATURE:	-20° to +50°C
WIND LOADING:	3.15 kg / 6.94 lbs @ 100 mph

MOUNTING OPTIONS

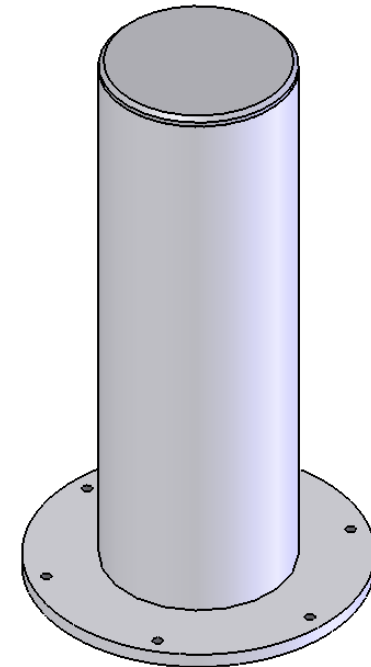
KITS AVAILABLE:	N/A
See Separate Data Sheets	

GA: 1434-1 Issued: 300407
 DIMENSIONS: mm [inches]

SIDE VIEW



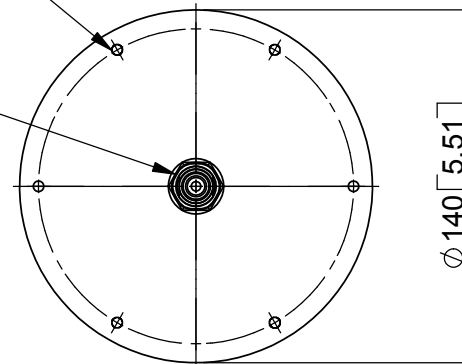
ISOMETRIC VIEW



MOUNT VIA 6 OFF
 ϕ 4.2 HOLES ON A
 125 PCD.

N(F) CONNECTOR

BASE VIEW



LCO5-3450-M01/1434

European Antennas Ltd. has a policy of continuous development and therefore stress that the data contained on this sheet should be used for guidance only.

European Antennas Ltd. is part of the Cobham Antennas Division



Certificate No 9268

European Antennas Ltd
 Lambda House, Cheveley
 Newmarket, Suffolk, CB8 9RG, UK
 Tel: +44 (0)1638 731888
 sales@european-antennas.co.uk
 www.european-antennas.co.uk