

# DLPA7-892R-1850R/1290

**COBHAM**

## Directional Antenna

The most important thing we build is trust

Designed for Security Applications

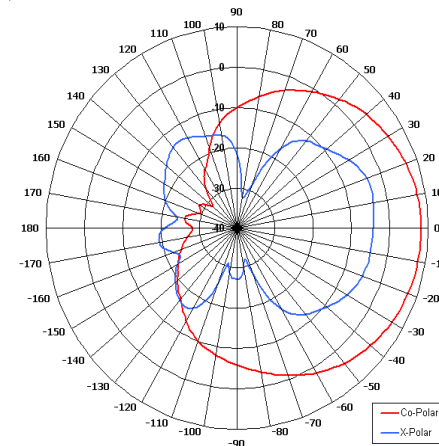
Suitable for Multiple Applications

Wide Band

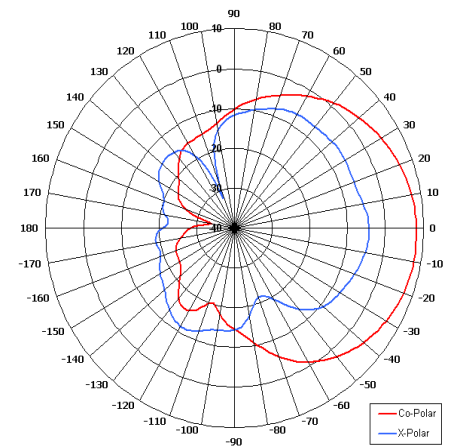
Right Hand Circular Polarised

Rugged

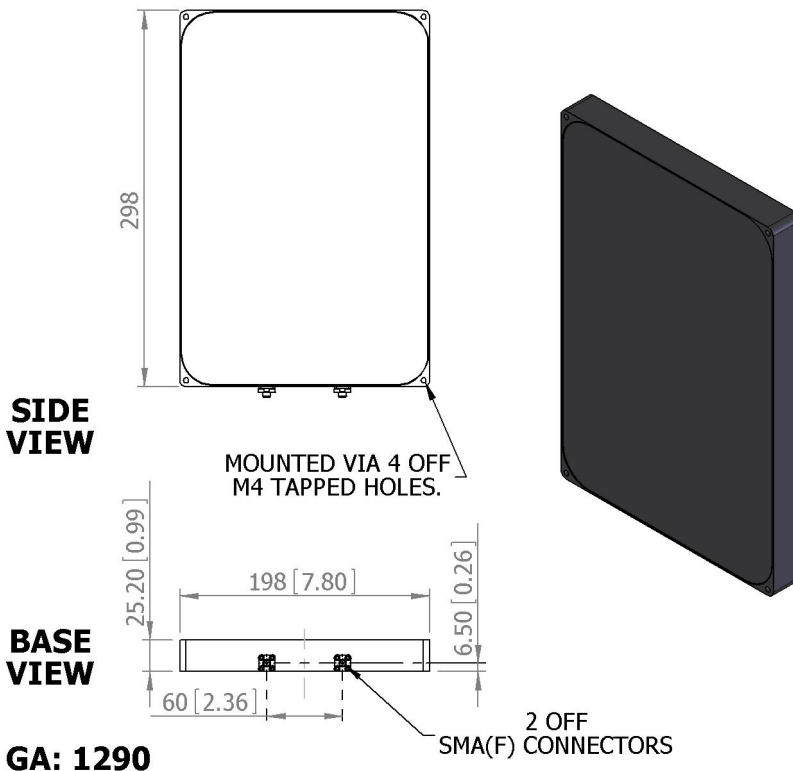
Connector Options



Azimuth Pattern



Elevation Pattern



### ELECTRICAL

Frequency	824-960 +1710-1990 MHz
Gain	8 dBiC Nom
Polarisation	Right Hand Circular
Beamwidth	75° (Az) x 65° (El) 842R 53° x 53° (El) 1850R
Axial Ratio	6 dB Typ
VSWR	2:1
Power Rating	25 W
Front to Back	>25 dB

### MECHANICAL

Standard Finish	Matt Black
Mass	1.5 Kg (3.3 lbs)
Temperature	-20° to +50° C
Wind Loading	9.57 Kg/21.05 lbs @ 100mph

### MOUNTING OPTIONS

Kits Available	N/A
----------------	-----

See separate data sheets

### ADDITIONAL NOTES

Issued 071010

European Antennas Limited trading as Cobham Antenna Systems, Microwave Antennas

European Antennas Limited has a policy of continuous development and stress that the information provided is a guide only and does not constitute an offer or contract or part thereof. Whilst every effort is made to ensure the accuracy of the information contained in this brochure, no responsibility can be accepted for any errors or omissions.

The copyright of antenna designs and images is copyright protected and owned by European Antennas Limited.  
©European Antennas Limited

For further information please contact:

Cobham Antenna Systems, Microwave Antennas

Lambda House, Cheveley,

Newmarket, Suffolk CB8 9RG, UK.

Tel +44 (0)1638 732 177

Fax +44 (0) 1638 731999

Email [newmarket.sales@cobham.com](mailto:newmarket.sales@cobham.com)