

LPA7-16RL/1311

COBHAM

Directional Antenna

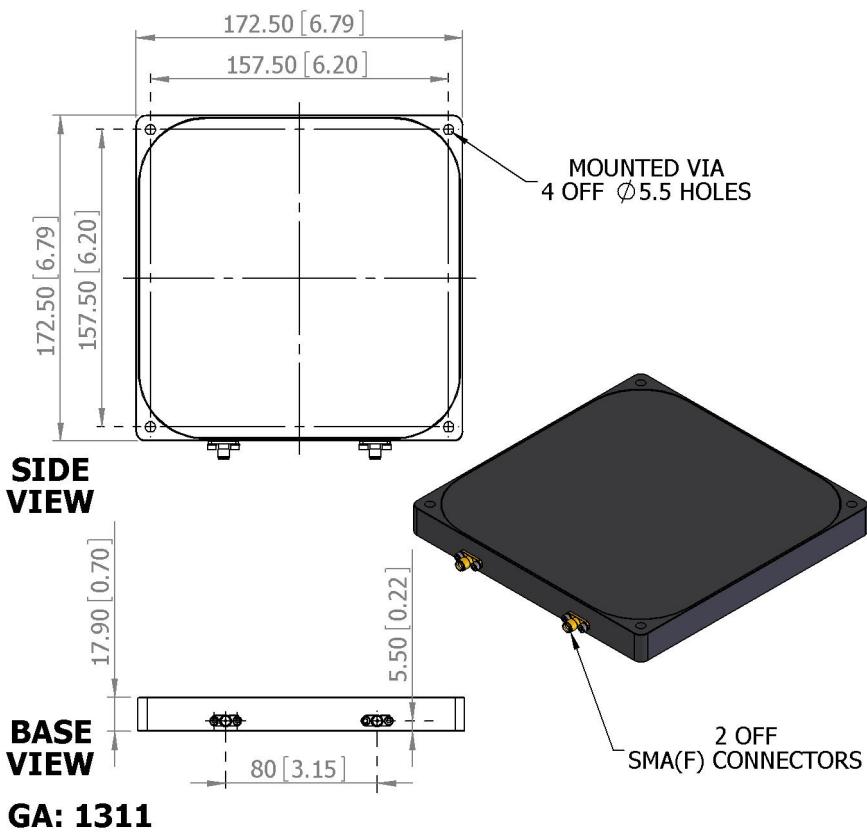
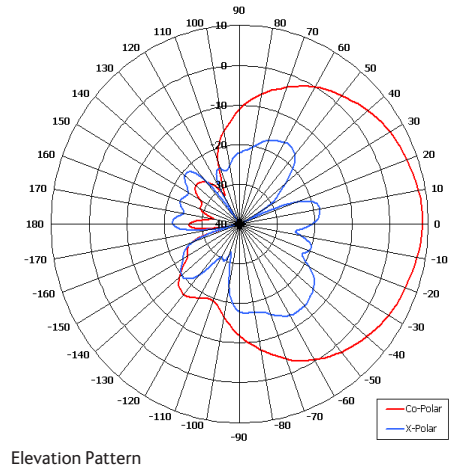
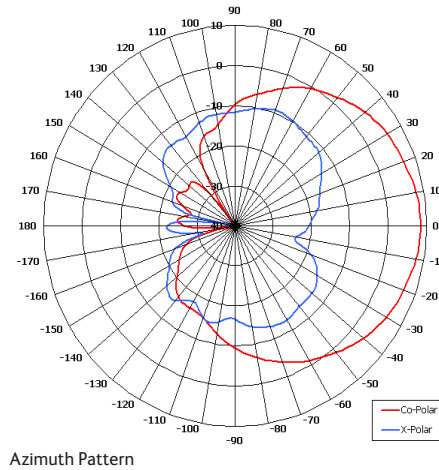
The most important thing we build is trust

Designed for Satellite Applications

Dual Circular Polarisation

Rugged

Suitable for Outdoor Applications



ELECTRICAL	
Frequency	1.52 - 1.66 GHz
Gain	8 dBiC Nom
Polarisation	RHC & LHC
Beamwidth	70° (Az) x 70° (El) Approx
Axial Ratio	3 dB Typ
VSWR	1.5:1
Power Rating	10 W
Front to Back	20 dB Approx
MECHANICAL	
Standard Finish	Matt Black
Mass	600 g (1.32 lbs)
Temperature	-20° to +50°C
Wind Loading	4.83 Kg (10.62 lbs) @ 100mph
MOUNTING OPTIONS	
Kits Available	N/A
See separate data sheets	
ADDITIONAL NOTES	

European Antennas Limited trading as Cobham Antenna Systems, Microwave Antennas

European Antennas Limited has a policy of continuous development and stress that the information provided is a guide only and does not constitute an offer or contract or part thereof. Whilst every effort is made to ensure the accuracy of the information contained in this brochure, no responsibility can be accepted for any errors or omissions.

The copyright of antenna designs and images is copyright protected and owned by European Antennas Limited.
©European Antennas Limited

Issued 021212

For further information please contact:

Cobham Antenna Systems, Microwave Antennas
 Lambda House, Cheveley,
 Newmarket, Suffolk CB8 9RG, UK.
 Tel +44 (0)1638 732 177
 Fax +44 (0) 1638 731999
 Email newmarket.sales@cobham.com